

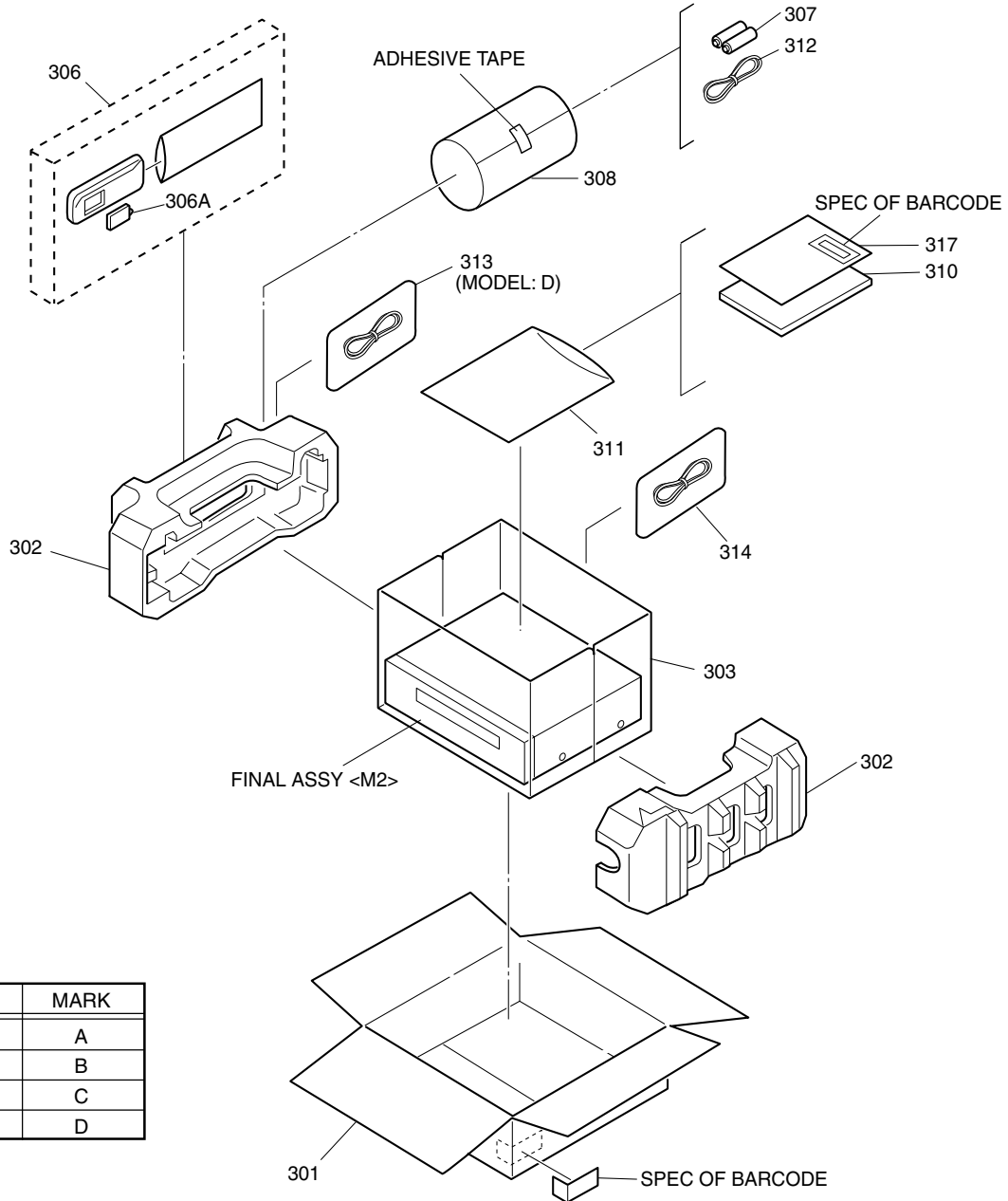
SECTION 5 PARTS LIST

SAFETY PRECAUTION

Parts identified by the \triangle symbol are critical for safety. Replace only with specified part numbers.

5.1 PACKING AND ACCESSORY ASSEMBLY <M1>

The instruction manual to be provided with this product will differ according to the destination.



MODEL	MARK
HR-S6850MS	A
HR-S7850MS	B
HR-S7851MS	C
HR-S8850MS	D

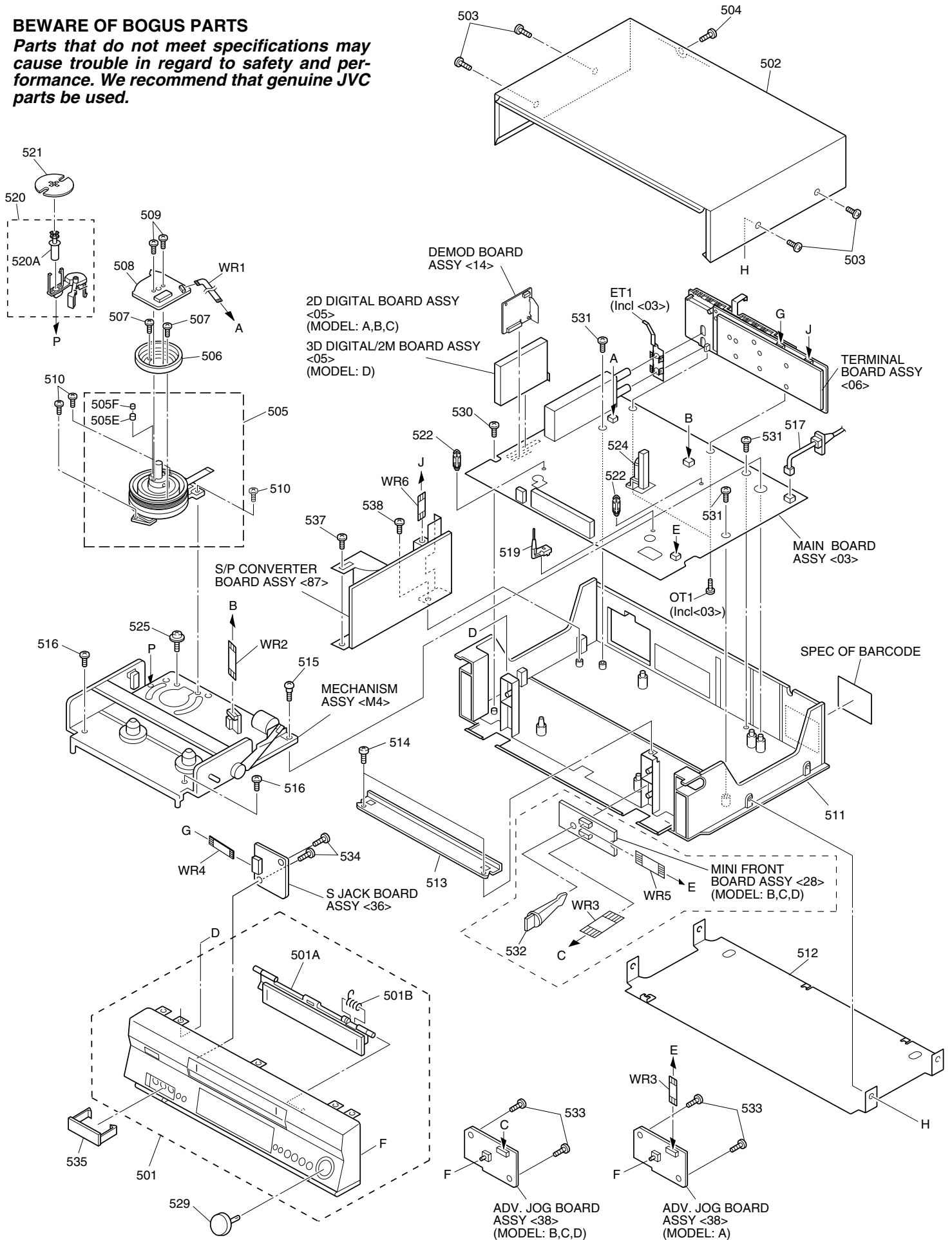
# \triangle	REF No.	PART No.	PART NAME, DESCRIPTION	# \triangle	REF No.	PART No.	PART NAME, DESCRIPTION	

PACKING AND ACCESSORY ASSEMBLY <M1>								
		301	LP30855-002B	PACKING CASE		307	-	BATTERY, X2 ("R6" TYPE)
		302	LP30909-001C	CUSHION ASSY		308	QPC02202230P	POLY BAG
		303	PQM30021-93	POLY BAG	\triangle	310	LPT0493-001A	INST BOOK (FR), A
		306	LP20873-007A	REMOTE CONTROLLER, D	\triangle		LPT0494-001A	INST BOOK (FR), B, C
			LP20878-010A	REMOTE CONTROLLER, A, B, C	\triangle		LPT0495-001A	INST BOOK (FR), D
	306A		LP40254-006A	COVER (BATTERY), D		311	QPC02503530P	POLY BAG
			LP40610-002A	COVER (BATTERY), A, B, C		312	PEAC0300-02	RF CABLE
						313	QAL0095-005	LED CABLE ASSY (Satellite Controller), D
						314	QAM0238-003	PERI CABLE
						317	BT-54008-2	GUARANTY CARD

5.2 FINAL ASSEMBLY <M2>

BEWARE OF BOGUS PARTS

Parts that do not meet specifications may cause trouble in regard to safety and performance. We recommend that genuine JVC parts be used.



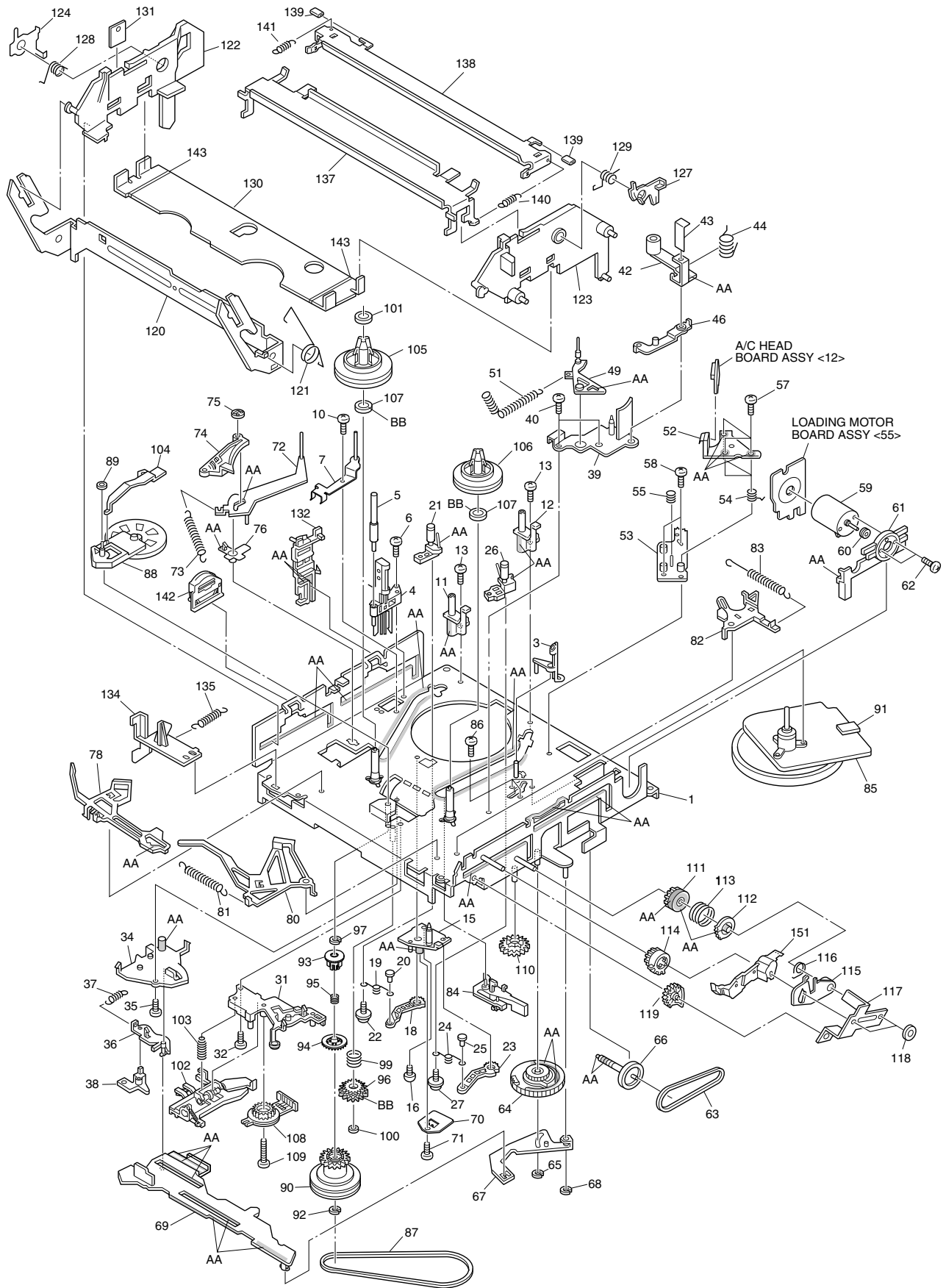
▲ REF No. PART No. PART NAME, DESCRIPTION

▲ REF No. PART No. PART NAME, DESCRIPTION

FINAL ASSEMBLY <M2>

▲	501	LP10333-027D	FRONT PANEL ASSY,A
▲		LP10333-032D	FRONT PANEL ASSY,B
▲		LP10333-035D	FRONT PANEL ASSY,C
▲		LP10333-037D	FRONT PANEL ASSY,D
	501A	LP20961-007C	CASSETTE DOOR,A,B,C
		LP20961-010C	CASSETTE DOOR,D
	501B	PQ46448	TORSION SPRING
▲	502	LP10013-051A	TOP COVER
	503	QYTDSF3010R	SCREW,X4 TOP COVER(SIDE)
	504	QYTDSF3010M	SCREW,TOP COVER(REAR)
	505	LP20981-011A	DRUM SUB ASSY,A
		LP20981-013A	DRUM SUB ASSY,B,C,D
	505E	LP40323-001A	CONTACT
	505F	LP30004-014A	COMPRESSION SPRING
	506	PDZ0179-1-4	ROTOR ASSY
	507	QYSPSP3006Z	SCREW,X2
▲	508	QAR0169-002	STATOR ASSY
	509	QYSPSPH2606Z	SCREW,X2
	510	QYTDST2610Z	SCREW,X3 DRUM
▲	511	LP10108-016E	BOTTOM CHASSIS
▲	512	LP10014-002B	BOTTOM COVER
	513	LP30312-001B	BRACKET(CHASSIS)
	514	QYTDSF3010Z	SCREW,X2
	515	LP40700-001A	SPECIAL SCREW,MECHA
	516	QYTDSF3010Z	SCREW,X2 MECHA
▲	517	QMP4A10-170	POWER CORD
	519	LP40407-001A	KNOB ASSY
	520	LP40370-001E	ROLLER ARM ASSY
	520A	PDM4311A-1	ROLLER ASS
	521	PQ45160	INERTIA PLATE
	522	LP40226-001A	PC SUPPORT,X2
	524	LP40253-001B	STOPPER
	525	PQ40413	SPECIAL SCREW,MECHA
	529	LP31019-001C	KNOB ASSY,FRONT
	530	QYTDSF3010Z	SCREW,MAIN
	531	DPSF3010Z	SCREW,X3 MAIN
	532	LP40628-001B	PC SUPPORT,MINI FRONT,B,C,D
	533	QYTPSFG2608Z	SCREW,X2 ADV.JOG
	534	QYTDSF2608Z	SCREW,X2 S JACK
	535	LP30809-001C	CAP(JACK)
	537	QYTDSF3008Z	SCREW,S/P CONVERTER
	538	QYTDSF3008Z	SCREW,S/P CONVERTER
	WR1	QUQ212-0524CG	FFC WIRE,DRUM CN3001
	WR2	WJT0005-001A	E-CARD WIRE,A/C HEAD CN2001
	WR3	QUQ112-0914CG	FFC WIRE,ADV.JOG CN7001,A
		QUQ112-0914CG	FFC WIRE,ADV.JOG CN7005,B,C,D
	WR4	QUQ212-0456CG	FFC WIRE,S JACK CN916
	WR5	QUQ112-0914CG	FFC WIRE,MINI FRONT CN7001,B,C,D
	WR6	QUQ112-1140CG	FFC WIRE,S/P CONVERTER CN511

5.3 MECHANISM ASSEMBLY <M4>



Classification	Part No.	Symbol in drawing
Grease	KYODO-SH-P	AA
Oil	COSMO-HV56	BB

NOTE:The section marked in **AA** and **BB** indicate lubrication and greasing areas.

#	△	REF No.	PART No.	PART NAME, DESCRIPTION	#	△	REF No.	PART No.	PART NAME, DESCRIPTION

MECHANISM ASSEMBLY <M4>									
1		LP20821-009A		MAIN DECK ASSY	76		LP30232-002A		TENSION ARM BEARING
3		LP30492-002B		GUIDE POLE GUARD	78		LP40532-008B		MAIN BRAKE ASSY (SUPPLY)
4		NAH0001-001		FULL ERASE HEAD	80		LP40111-011A		MAIN BRAKE ASSY (TAKE UP)
5		LP40701-001A		GUIDE POLE(SUPPLY)	81		LP30003-026A		TENSION SPRING
6		QYTDST2608Z		SCREW,FE HEAD	82		LP40112-001F		SUB BRAKE ASSY(TAKE UP)
7		LP40637-002A		TENSION STUD BASE ASSY	83		LP40357-002A		TENSION SPRING
10		QYTDST2606Z		SCREW	84		LP40461-001A		CAPSTAN BRAKE ASSY
11		LP30409-002C		UV CATCHER 2 (SUPPLY)	85		QAR0087-005		CAPSTAN MOTOR
12		LP30409-002C		UV CATCHER 2 (TAKE UP)	86		QYTDSF2606M		SCREW,X3
13		QYTPST2606Z		SCREW,X2	87		LP30005-007A		BELT,CAPSTAN MOTOR
15		LP30223-003C		LOADING ARM GEAR SHAFT	88		LP40114-012A		IDLER ARM ASSY
16		QYTDST2606Z		SCREW	89		LP30016-001A		SLIT WASHER
18		LP30224-001B		LOADING ARM GEAR(SUPPLY)	90		LP40593-001A		CLUTCH UNIT 3
19		LP40099-001A		TORSION ARM	91		LP30002-097A		SPACER,CAPSTAN MOTOR
20		LP40100-001A		PIN	92		PQM30017-47		SLIT WASHER
21		LP40101-006A		POLE BASE ASSY(SUPPLY)	93		LP30696-002A		CLUTCH GEAR 4
22		QYSPSTG2606Z		SCREW	94		LP30697-003A		COUPLING GEAR
23		LP40103-002B		LOADING ARM GEAR(TAKE UP)	95		LP40554-002A		COMPRESSION SPRING
24		LP40099-001A		TORSION ARM	96		LP40442-001A		DIRECT GEAR
25		LP40100-002A		PIN	97		LP30017-019A		SPACER,C.GEAR4
26		LP40104-006A		POLE BASE ASSY(TAKE UP)	99		LP40483-002A		COMPRESSION SPRING
27		QYSPSTG2606Z		SCREW	100		LP30016-001A		SLIT WASHER,DIRECT GEAR
31		LP20233-004B		ROTARY ENCODER GUIDE	101		LP30016-001A		SLIT WASHER,REEL DISK(SUPPLY)
32		QYTPST2606Z		SCREW	102		LP40484-001J		CHANGE LEVER ASSY
34		LP30226-004E		CONTROL PLATE GUIDE	103		LP40512-002B		COMPRESSION SPRING
35		QYTPST2605Z		SCREW	104		LP30236-002C		IDLER LEVER
36		LP30249-003B		TAKE UP LEVER	105		LP20237-004A		REEL DISK (SUPPLY)
37		LP30003-006A		TENSION SPRING	106		LP20238-004A		REEL DISK (TAKE UP)
38		LP40119-002A		TAKE UP HEAD	107		LP30017-022A		SPACER,X2
39		LP20234-004B		LID GUIDE	108		QSW0554-003		ROTARY ENCODER
40		QYTDST2606Z		SCREW,X2	109		QYTPST2620Z		SCREW
42		LP40105-003A		PINCH ROLLER ARM ASSY	110		LP30237-002B		CASSETTE GEAR
43		LP40753-001A		PINCH ROLLER SHEET3	111		LP30239-002G		LIMIT GEAR(1)
44		LP40148-002A		TORSION SPRING	112		LP30240-002G		LIMIT GEAR(2)
46		LP40149-001C		PRESS LEVER ASSY	113		LP40136-001E		TORSION SPRING
49		LP40106-007A		GUIDE ARM ASSY	114		LP30242-002A		RELAY GEAR
51		LP40134-002A		TENSION SPRING	115		LP30339-002E		OPENER GUIDE
52		QAH0058-001		AC HEAD	116		LP40545-001A		TORSION SPRING
53		LP30228-001C		HEAD BASE	117		LP40214-001B		C.H.BRACKET
54		LP30004-013A		COMPRESSION SPRING,X3	118		PQM30017-47		SLIT WASHER,X2
55		LP40236-001A		COMPRESSION SPRING	119		LP30243-002A		DRIVE GEAR
57		LP40213-002B		SPECIAL SCREW,X3	120		LP20240-001G		DRIVE ARM
58		QYTDST2608Z		SCREW,X2	121		LP40137-001A		TORSION SPRING
59		QAR0023-001		LOADING MOTOR	122		LP10081-002P		SIDE HOLDER(L)
60		PQ43546-1-2		MOTOR PULLEY	123		LP10082-002U		SIDE HOLDER(R)
61		LP30230-003D		MOTOR GUIDE	124		LP30255-006B		LOCK LEVER(L)
62		QYTPSP3003Z		SCREW,X2	127		LP30256-001H		LOCK LEVER(R)
63		LP30005-003A		BELT,LOADING MOTOR	128		LP40168-003A		TORSION SPRING(L)
64		LP20791-002D		CONTROL CAM	129		LP40218-001B		TORSION SPRING(R)
65		PQM30017-24		SLIT WASHER	130		LP30257-001G		CASSETTE HOLDER
66		LP40120-001A		WORM GEAR	131		PQ40919-30		SPACER,EARTH PLATE
67		LP40107-002A		LINK LEVER ASSY	132		LP30244-002G		GUIDE RAIL
68		PQM30017-24		SLIT WASHER	134		LP30245-002F		REC SAFETY LEVER
69		LP10201-003G		CONTROL PLATE	135		LP30003-004A		TENSION SPRING
70		LP40379-001B		CONTROL BRACKET(1)	137		LP20578-001C		TOP GUIDE
71		QYTDSF2608M		SCREW	138		LP30500-001C		HOLD PLATE
72		LP40108-002A		TENSION ARM ASSY	139		LP40450-003A		PAD,X2
73		LP30003-010A		TENSION SPRING	140		LP30003-025B		TENSION SPRING
74		LP40109-003D		TENSION BRAKE ASSY	141		LP30003-024A		TENSION SPRING
75		PQ46302-1-3		ADJUST PIN	142		LP40481-003A		ROLLER CAM ASSY
					143		LP30019-014A		PAD,X2
					152		LP20324-003B		DOOR OPENER

5.4 ELECTRICAL PARTS LIST

MODEL	MARK	MODEL	MARK
HR-S6850MS	A	HR-S7851MS	C
HR-S7850MS	B	HR-S8850MS	D

Δ REF No. PART No. PART NAME, DESCRIPTION

MAIN BOARD ASSEMBLY <03>

PW1	LPA10140-03B	MAIN BOARD ASSY,B,C
	LPA10140-06A	MAIN BOARD ASSY,D
	LPA10140-09A	MAIN BOARD ASSY,A
IC1	JCP8050-MSA	IC
IC2	MM1113XF	IC
IC201	LC74775-9750	IC
IC301	LA7358	IC
IC3001	HD6432194SAD12F	IC(MCU)
IC3002	IC-PST3427U-X	IC
IC3003	24LC32A-I/SN-X	IC
	or HN58X2432FPI	IC
	or BR24C32F	IC
IC3004	BA6956AN	IC
IC5301	L5431	IC
	or MM1431AT	IC
	or UTCTL431	IC
IC7001	PT6312LQ	IC
	or UPD16312GB/H/	IC
IC7003	GP1U291Q	IR DETECT UNIT
	or PIC-28143LJ	IR DETECT UNIT
	or PNA4652M00YC	IR DETECT UNIT
	or PIC-37143LJ	IR DETECT UNIT
Q1	2SC4081/S/-X	TRANSISTOR,A
Q2	2SC4081/S/-X	TRANSISTOR,A
Q3	2SC4081/S/-X	TRANSISTOR,A
Q4	2SC4081/S/-X	TRANSISTOR,A
Q5	2SB1218A/QR/-X	TRANSISTOR
	or 2PA1576/R/-X	TRANSISTOR
	or 2SA1576A/QR/-X	TRANSISTOR
Q7	2SD1819A/QRS/-X	TRANSISTOR
	or 2PC4081/R/-X	TRANSISTOR
	or 2SC4081/QRS/-X	TRANSISTOR
Q8	2SD1819A/QRS/-X	TRANSISTOR
	or 2SC4081/QRS/-X	TRANSISTOR
	or 2PC4081/R/-X	TRANSISTOR
Q9	2SB1218A/QR/-X	TRANSISTOR
	or 2PA1576/R/-X	TRANSISTOR
	or 2SA1576A/QR/-X	TRANSISTOR
Q10	2SA1576A/QR/-X	TRANSISTOR
Q11	DTC144WU	TRANSISTOR,A,B,C
	or PDTC144WU	TRANSISTOR,A,B,C
	or RN1309	TRANSISTOR,A,B,C
	or UN521E	TRANSISTOR,A,B,C
Q14	DTA144WU	TRANSISTOR
	or PDTA144WU	TRANSISTOR
	or RN2309	TRANSISTOR
	or UN511E	TRANSISTOR
Q17	DTC144WU	TRANSISTOR
	or PDTC144WU	TRANSISTOR
	or RN1309	TRANSISTOR
	or UN521E	TRANSISTOR
Q21	2SB1218A/QR/-X	TRANSISTOR
	or 2SA1576A/QR/-X	TRANSISTOR
	or 2PA1576/R/-X	TRANSISTOR
Q24	2SB1218A/QR/-X	TRANSISTOR
	or 2PA1576/R/-X	TRANSISTOR
	or 2SA1576A/QR/-X	TRANSISTOR

# Δ REF No.	PART No.	PART NAME, DESCRIPTION
Q25	DTC144WU	TRANSISTOR,D
	or PDTC144WU	TRANSISTOR,D
	or RN1309	TRANSISTOR,D
	or UN521E	TRANSISTOR,D
Q38	2SD1819A/QRS/-X	TRANSISTOR
	or 2SC4081/QRS/-X	TRANSISTOR
	or 2PC4081/R/-X	TRANSISTOR
Q40	DTC144WU	TRANSISTOR,A,B,C
	or PDTC144WU	TRANSISTOR,A,B,C
	or RN1309	TRANSISTOR,A,B,C
	or UN521E	TRANSISTOR,A,B,C
Q41	DTC144WU	TRANSISTOR
	or PDTC144WU	TRANSISTOR
	or RN1309	TRANSISTOR
	or UN521E	TRANSISTOR
Q207	2SB1218A/QR/-X	TRANSISTOR
	or 2PA1576/R/-X	TRANSISTOR
	or 2SA1576A/QR/-X	TRANSISTOR
Q208	2SD1819A/QRS/-X	TRANSISTOR
	or 2SC4081/QRS/-X	TRANSISTOR
	or 2PC4081/R/-X	TRANSISTOR
Q301	2SB1218A/QR/-X	TRANSISTOR
	or 2PA1576/R/-X	TRANSISTOR
	or 2SA1576A/QR/-X	TRANSISTOR
Q302	UN511E	TRANSISTOR
	or DTA144WU	TRANSISTOR
	or PDTA144WU	TRANSISTOR
	or RN2309	TRANSISTOR
Q401	2SA1576A/QR/-X	TRANSISTOR,B,C,D
Q402	2SA1576A/QR/-X	TRANSISTOR,B,C,D
Q403	DTC144WU	TRANSISTOR,B,C,D
	or PDTC144WU	TRANSISTOR,B,C,D
	or RN1309	TRANSISTOR,B,C,D
	or UN521E	TRANSISTOR,B,C,D
Q404	DTC144WU	TRANSISTOR,B,C,D
	or PDTC144WU	TRANSISTOR,B,C,D
	or RN1309	TRANSISTOR,B,C,D
	or UN521E	TRANSISTOR,B,C,D
Q405	2SA1576A/QR/-X	TRANSISTOR,B,C,D
Q2001	2SC4081/QRS/-X	TRANSISTOR
	or 2SD1819A/QRS/-X	TRANSISTOR
	or 2PC4081/R/-X	TRANSISTOR
Q2002	2SC4081/QRS/-X	TRANSISTOR
	or 2PC4081/R/-X	TRANSISTOR
	or 2SD1819A/QRS/-X	TRANSISTOR
Q2003	DTA144WU	TRANSISTOR
	or PDTA144WU	TRANSISTOR
	or RN2309	TRANSISTOR
	or UN511E	TRANSISTOR
Q2004	DTC114EU	TRANSISTOR
	or PDTC114EU	TRANSISTOR
	or RN1302	TRANSISTOR
	or UN5211	TRANSISTOR
Q2051	2SC4081/QRS/-X	TRANSISTOR
	or 2PC4081/R/-X	TRANSISTOR
	or 2SD1819A/QRS/-X	TRANSISTOR
Q2052	2SA1576A/QR/-X	TRANSISTOR
	or 2SB1218A/QR/-X	TRANSISTOR
	or 2PA1576/R/-X	TRANSISTOR
Q2053	DTC144WU	TRANSISTOR
	or PDTC144WU	TRANSISTOR

#	△	REF No.	PART No.	PART NAME, DESCRIPTION	#	△	REF No.	PART No.	PART NAME, DESCRIPTION	
			or RN1309	TRANSISTOR				or UN5111	TRANSISTOR	
			or UN521E	TRANSISTOR				or RN2302	TRANSISTOR	
Q2054			2SA1576A/QR/-X	TRANSISTOR	Q5306			DTC114EU	TRANSISTOR	
			or 2PA1576/R/-X	TRANSISTOR				or PDTC114EU	TRANSISTOR	
			or 2SB1218A/QR/-X	TRANSISTOR				or UN5211	TRANSISTOR	
Q2055			DTC144WU	TRANSISTOR				or RN1302	TRANSISTOR	
			or PDTC144WU	TRANSISTOR	Q5308			2SA1576A/RS/-X	TRANSISTOR	
			or UN521E	TRANSISTOR	Q5311			DTC114TU	TRANSISTOR	
			or RN1309	TRANSISTOR				or PDTC114TU	TRANSISTOR	
Q2061			2SC4081/QRS/-X	TRANSISTOR,B,C,D				or RN1311	TRANSISTOR	
			or 2PC4081/R/-X	TRANSISTOR,B,C,D				or UN5215	TRANSISTOR	
			or 2SD1819A/QRS/-X	TRANSISTOR,B,C,D	Q5312			2SD2144S/UV/-T	TRANSISTOR	
Q2062			2SA1576A/QR/-X	TRANSISTOR,B,C,D	Q5318			DTA114EU	TRANSISTOR	
			or 2PA1576/R/-X	TRANSISTOR,B,C,D				or RN2302	TRANSISTOR	
			or 2SB1218A/QR/-X	TRANSISTOR,B,C,D				or UN5111	TRANSISTOR	
Q2063			DTC144WU	TRANSISTOR,B,C,D	Q5320			or PDA114EU	TRANSISTOR	
			or PDTC144WU	TRANSISTOR,B,C,D				DTC114EU	TRANSISTOR	
			or RN1309	TRANSISTOR,B,C,D				or PDTC114EU	TRANSISTOR	
			or UN521E	TRANSISTOR,B,C,D				or RN1302	TRANSISTOR	
Q2251			DTA144WU	TRANSISTOR				or UN5211	TRANSISTOR	
			or PDA144WU	TRANSISTOR	Q5322			DTC114TU	TRANSISTOR	
			or RN2309	TRANSISTOR				or PDTC114TU	TRANSISTOR	
			or UN511E	TRANSISTOR				or RN1311	TRANSISTOR	
Q2252			DTC114EU	TRANSISTOR				or UN5215	TRANSISTOR	
			or PDTC114EU	TRANSISTOR	Q5323			2SB927/ST/-T	TRANSISTOR	
			or RN1302	TRANSISTOR	Q6030			2SB1218A/QR/-X	TRANSISTOR	
			or UN5211	TRANSISTOR				or 2SA1576A/QR/-X	TRANSISTOR	
Q3001			2SD1819A/QRS/-X	TRANSISTOR				or 2PA1576/R/-X	TRANSISTOR	
			or 2PC4081/R/-X	TRANSISTOR	Q6031			DTC114EU	TRANSISTOR	
			or 2SC4081/QRS/-X	TRANSISTOR				or PDTC114EU	TRANSISTOR	
Q3002			PTZ-NV16	PHOTO TRANSISTOR				or RN1302	TRANSISTOR	
			or PTZ-NV16A	PHOTO TRANSISTOR				or UN5211	TRANSISTOR	
Q3003			PTZ-NV16	PHOTO TRANSISTOR	Q6032			DTC114EU	TRANSISTOR	
			or PTZ-NV16A	PHOTO TRANSISTOR				or PDTC114EU	TRANSISTOR	
Q3004			2SD1819A/QRS/-X	TRANSISTOR				or RN1302	TRANSISTOR	
			or 2SC4081/QRS/-X	TRANSISTOR				or UN5211	TRANSISTOR	
			or 2PC4081/R/-X	TRANSISTOR	Q7201			2SC1317/RS/-T	TRANSISTOR	
Q3005			2SD1819A/QRS/-X	TRANSISTOR	D1			DA204U	DIODE	
			or 2SC4081/QRS/-X	TRANSISTOR	D6			MTZJ5.1C	ZENER DIODE	
			or 2PC4081/R/-X	TRANSISTOR	D201			QRE141J-152Y	RESISTOR	1.5kΩ,1/4W
Q3007			UN521E	TRANSISTOR	D202			QRE141J-101Y	RESISTOR	100Ω,1/4W
			or PDTC144WU	TRANSISTOR	D203			QRE141J-101Y	RESISTOR	100Ω,1/4W
			or DTC144WU	TRANSISTOR	D2202			MTZJ8.2C	ZENER DIODE	
			or RN1309	TRANSISTOR	D3001			LNB2301L01VI	LE DIODE	
Q4001			UN5211	TRANSISTOR	D3002			1SS133	DIODE	
			or RN1302	TRANSISTOR				or 1SS270A	DIODE	
			or DTC114EU	TRANSISTOR	D3003			RD39ES/B3/-T2	ZENER DIODE	
			or PDTC114EU	TRANSISTOR				or MTZJ39C	ZENER DIODE	
Q5101			2SK2632-CB14	POWER MOS FET	D3004			11ES2	DIODE	
			or 2SK2632	POWER MOS FET				or 1A3G	DIODE	
			or 2SK2129-LT	POWER MOS FET	D3005			11ES2	DIODE	
			or 2SK2129	POWER MOS FET				or 1A3G	DIODE	
Q5102			2SD2144S/UV/-T	TRANSISTOR	D3008			1SS355	DIODE	
Q5301			2SB1256	TRANSISTOR	D4001			QUY153-050Y	IM BUS WIRE	
Q5302			2SD2375/QP/	TRANSISTOR	D4002			QUY153-050Y	IM BUS WIRE	
Q5303			2SD1819A/RS/-X	TRANSISTOR	D5001			S1WB/A/60-4102	BRIDGE DIODE	
			or 2PC4081/R/-X	TRANSISTOR				or S1WB/A/60-X	BRIDGE DIODE	
			or 2SC4081/RS/-X	TRANSISTOR				or S1WB(A)60F4072X	BRIDGE DIODE	
Q5304			2SC3616/ML/-T	TRANSISTOR	D5101			AU01	FR DIODE	
Q5305			DTA114EU	TRANSISTOR				or ERA18-04-T2	FR DIODE	
			or PDA114EU	TRANSISTOR				or 1SR153-400-T2	FR DIODE	

#	△ REF No.	PART No.	PART NAME, DESCRIPTION	#	△ REF No.	PART No.	PART NAME, DESCRIPTION	
		or 10ELS4	FR DIODE			or 1A3G	DIODE	
D5102		AU01	FR DIODE			or ERA15-02-T2	DIODE	
		or ERA18-04-T2	FR DIODE	D5319		11ES2	DIODE	
		or 10ELS4	FR DIODE			or 1A3G	DIODE	
		or 1SR153-400-T2	FR DIODE			or ERA15-02-T2	DIODE	
D5103		1SS133	DIODE	D6002		HZ30-2L-T2	ZENER DIODE	
		or 1SS270A	DIODE			or HZ30-2LTD	Z DIODE (M)	
D5105		1SS133	DIODE	D7001		RD9.1ES/B2/-T2	ZENER DIODE	
		or 1SS270A	DIODE			or UZ9.1BSB	ZENER DIODE	
D5201		AK04	DIODE,B,C,D			or MTZJ9.1B	ZENER DIODE	
		AU01Z	FR DIODE,A	D7003		1SS133	DIODE	
		or 1S4	SB DIODE,B,C,D			or 1SS270A	DIODE	
		or 11EQS04	SB DIODE,B,C,D	D7004		1SS133	DIODE	
		or 10ELS2	FR DIODE,A			or 1SS270A	DIODE	
D5203		AU01Z	FR DIODE	D7005		1SS133	DIODE	
		or 10ELS2	FR DIODE			or 1SS270A	DIODE	
D5204		AU01Z	FR DIODE	D7006		1SS133	DIODE,B,C,D	
		or 10ELS2	FR DIODE			or 1SS270A	DIODE,B,C,D	
D5206		FMB-24	BARRIER DIODE	D7008		SLR-325MC-T	LE DIODE	
		or SB640FCT	SB DIODE	D7009		SLR-325VC-T	LE DIODE	
		or SF5SC4	SB DIODE	R1		NRVA02D-682X	CMF RESISTOR	6.8kΩ,1/10W
		or YG801C04	SB DIODE	R2		NRVA02D-152X	CMF RESISTOR	1.5kΩ,1/10W
		or FSQ05A04B	SB DIODE	R3		NRSA02J-182X	MG RESISTOR	1.8kΩ,1/10W
D5209		ERA18-02-T2	FR DIODE	R4		NRSA02J-0R0X	MG RESISTOR	0Ω,1/10W
		or 1SR153-400-T2	FR DIODE	R5		NRSA02J-0R0X	MG RESISTOR	0Ω,1/10W
		or 10ELS2	FR DIODE	R6		NRSA02J-273X	MG RESISTOR	27kΩ,1/10W
		or PG104RS	FR DIODE	R7		NRSA02J-681X	MG RESISTOR	680Ω,1/10W
D5210		AU01Z	FR DIODE	R8		NRSA02J-0R0X	MG RESISTOR	0Ω,1/10W
		or ERA18-02-T2	FR DIODE	R9		NRSA02J-0R0X	MG RESISTOR	0Ω,1/10W
		or 10ELS2	FR DIODE	R21		NRSA02J-0R0X	MG RESISTOR,A	0Ω,1/10W
		or PG104RS	FR DIODE	R22		NRSA02J-0R0X	MG RESISTOR,A	0Ω,1/10W
		or 1SR153-400-T2	FR DIODE	R23		NRSA02J-182X	MG RESISTOR	1.8kΩ,1/10W
D5211		AU01Z	FR DIODE	R25		NRSA02J-103X	MG RESISTOR	10kΩ,1/10W
		or ERA18-02-T2	FR DIODE	R26		NRSA02J-682X	MG RESISTOR	6.8kΩ,1/10W
		or 1SR153-400-T2	FR DIODE	R27		NRSA02J-221X	MG RESISTOR	220Ω,1/10W
		or 10ELS2	FR DIODE	R28		NRSA02J-221X	MG RESISTOR	220Ω,1/10W
		or PG104RS	FR DIODE	R29		NRSA02J-561X	MG RESISTOR	560Ω,1/10W
D5301		MTZJ15C	ZENER DIODE	R30		NRSA02J-0R0X	MG RESISTOR	0Ω,1/10W
		or RD15ES/B3/-T2	ZENER DIODE	R31		NRSA02J-152X	MG RESISTOR	1.5kΩ,1/10W
D5302		1SS133	DIODE	R32		NRSA02J-471X	MG RESISTOR	470Ω,1/10W
		or 1SS270A	DIODE	R33		NRSA02J-153X	MG RESISTOR	15kΩ,1/10W
D5303		RD5.1JS/B2/-T2	ZENER DIODE	R36		NRSA02J-182X	MG RESISTOR	1.8kΩ,1/10W
		or MA4051N/M/-T2	ZENER DIODE	R38		NRSA02J-102X	MG RESISTOR	1kΩ,1/10W
D5304		1SS133	DIODE	R39		NRSA02J-103X	MG RESISTOR,A,B,C	10kΩ,1/10W
		or 1SS270A	DIODE	R40		NRSA02J-222X	MG RESISTOR	2.2kΩ,1/10W
D5305		AK04	DIODE	R41		NRSA02J-392X	MG RESISTOR	3.9kΩ,1/10W
		or 11EQS04	SB DIODE	R42		NRSA02J-681X	MG RESISTOR	680Ω,1/10W
		or 1S4	SB DIODE	R46		NRSA02J-561X	MG RESISTOR,A,B,C	560Ω,1/10W
D5307		11ES2	DIODE			NRSA02J-221X	MG RESISTOR,D	220Ω,1/10W
		or 1A3G	DIODE	R48		QRE141J-102Y	RESISTOR	1kΩ,1/4W
		or ERA15-02-T2	DIODE	R51		NRSA02J-122X	MG RESISTOR	1.2kΩ,1/10W
D5308		MTZJ11B	ZENER DIODE	R65		NRSA02J-102X	MG RESISTOR	1kΩ,1/10W
		or RD11ES/B2/-T2	ZENER DIODE	R68		NRSA02J-102X	MG RESISTOR	1kΩ,1/10W
D5309		MTZJ27C	ZENER DIODE	R70		NRSA02J-0R0X	MG RESISTOR	0Ω,1/10W
		or RD27ES/B3/-T2	ZENER DIODE	R77		NRSA02J-103X	MG RESISTOR,A,B,C	10kΩ,1/10W
D5310		1SS133	DIODE			NRSA02J-223X	MG RESISTOR,D	22kΩ,1/10W
		or 1SS270A	DIODE	R88		NRSA02J-0R0X	MG RESISTOR	0Ω,1/10W
D5316		QUY160-100Y	IM BUS WIRE	R90		NRSA02J-391X	MG RESISTOR	390Ω,1/10W
D5317		1SS133	DIODE	R92		NRSA02J-152X	MG RESISTOR	1.5kΩ,1/10W
		or 1SS270A	DIODE	R93		NRSA02J-222X	MG RESISTOR	2.2kΩ,1/10W
D5318		11ES2	DIODE	R104		NRSA02J-682X	MG RESISTOR	6.8kΩ,1/10W

#	△ REF No.	PART No.	PART NAME, DESCRIPTION	#	△ REF No.	PART No.	PART NAME, DESCRIPTION
R3042		NRSA02J-0R0X	MG RESISTOR 0Ω,1/10W	R3210		NRSA02J-181X	MG RESISTOR 180Ω,1/10W
R3044		NRSA02J-0R0X	MG RESISTOR 0Ω,1/10W	R3211		NRSA02J-273X	MG RESISTOR 27kΩ,1/10W
R3046		NRSA02J-102X	MG RESISTOR 1kΩ,1/10W	R3212		QRE141J-474Y	RESISTOR 470kΩ,1/4W
R3047		NRSA02J-102X	MG RESISTOR 1kΩ,1/10W	R3213		NRSA02J-334X	MG RESISTOR 330kΩ,1/10W
R3048		NRSA02J-0R0X	MG RESISTOR 0Ω,1/10W	R3214		NRSA02J-103X	MG RESISTOR 10kΩ,1/10W
R3049		NRSA02J-0R0X	MG RESISTOR 0Ω,1/10W	R3215		NRSA02J-103X	MG RESISTOR 10kΩ,1/10W
R3050		NRSA02J-0R0X	MG RESISTOR 0Ω,1/10W	R3216		NRSA02J-103X	MG RESISTOR 10kΩ,1/10W
R3051		NRSA02J-471X	MG RESISTOR 470Ω,1/10W	R3217		QRE141J-562Y	RESISTOR 5.6kΩ,1/4W
R3052		NRSA02J-471X	MG RESISTOR 470Ω,1/10W	R3218		QRE141J-472Y	RESISTOR 4.7kΩ,1/4W
R3053		NRSA02J-471X	MG RESISTOR 470Ω,1/10W	R3219		NRSA02J-472X	MG RESISTOR 4.7kΩ,1/10W
R3054		NRSA02J-102X	MG RESISTOR 1kΩ,1/10W	R3220		NRSA02J-104X	MG RESISTOR 100kΩ,1/10W
R3055		NRSA02J-102X	MG RESISTOR 1kΩ,1/10W	R3222		NRSA02J-472X	MG RESISTOR 4.7kΩ,1/10W
R3056		NRSA02J-102X	MG RESISTOR 1kΩ,1/10W	R3223		NRSA02J-472X	MG RESISTOR 4.7kΩ,1/10W
R3057		NRSA02J-102X	MG RESISTOR 1kΩ,1/10W	R3224		NRSA02J-472X	MG RESISTOR 4.7kΩ,1/10W
R3058		NRSA02J-102X	MG RESISTOR 1kΩ,1/10W	R3225		NRSA02J-103X	MG RESISTOR 10kΩ,1/10W
R3059		NRSA02J-0R0X	MG RESISTOR 0Ω,1/10W	R3229		NRSA02J-105X	MG RESISTOR 1MΩ,1/10W
R3060		NRSA02J-102X	MG RESISTOR 1kΩ,1/10W	R3230		NRSA02J-472X	MG RESISTOR 4.7kΩ,1/10W
R3061		NRSA02J-102X	MG RESISTOR 1kΩ,1/10W	R3231		NRSA02J-102X	MG RESISTOR 1kΩ,1/10W
R3062		NRSA02J-103X	MG RESISTOR 10kΩ,1/10W	R3233		NRSA02J-103X	MG RESISTOR 10kΩ,1/10W
R3063		NRSA02J-0R0X	MG RESISTOR 0Ω,1/10W	R3234		NRSA02J-103X	MG RESISTOR 10kΩ,1/10W
R3066		NRSA02J-472X	MG RESISTOR 4.7kΩ,1/10W	R3235		NRSA02J-332X	MG RESISTOR 3.3kΩ,1/10W
R3069		NRSA02J-101X	MG RESISTOR 100Ω,1/10W	R3236		NRSA02J-332X	MG RESISTOR 3.3kΩ,1/10W
R3071		NRSA02J-103X	MG RESISTOR 10kΩ,1/10W	R3237		NRSA02J-103X	MG RESISTOR 10kΩ,1/10W
R3072		NRSA02J-0R0X	MG RESISTOR 0Ω,1/10W	R3238		NRSA02J-103X	MG RESISTOR 10kΩ,1/10W
R3073		NRSA02J-0R0X	MG RESISTOR 0Ω,1/10W	R3239		NRSA02J-103X	MG RESISTOR 10kΩ,1/10W
R3074		NRSA02J-0R0X	MG RESISTOR 0Ω,1/10W	R3240		NRSA02J-103X	MG RESISTOR 10kΩ,1/10W
R3075		NRSA02J-471X	MG RESISTOR 470Ω,1/10W	R3241		QRE141J-104Y	RESISTOR 100kΩ,1/4W
R3076		NRSA02J-471X	MG RESISTOR 470Ω,1/10W	R3242		NRSA02J-472X	MG RESISTOR 4.7kΩ,1/10W
R3077		NRSA02J-0R0X	MG RESISTOR 0Ω,1/10W	R4003		NRSA02J-561X	MG RESISTOR 560Ω,1/10W
R3078		NRSA02J-0R0X	MG RESISTOR 0Ω,1/10W	R4004		NRSA02J-561X	MG RESISTOR 560Ω,1/10W
R3079		NRSA02J-0R0X	MG RESISTOR 0Ω,1/10W	R4005		NRSA02J-562X	MG RESISTOR 5.6kΩ,1/10W
R3080		NRSA02J-0R0X	MG RESISTOR 0Ω,1/10W	R4007		NRSA02J-102X	MG RESISTOR 1kΩ,1/10W
R3081		NRSA02J-0R0X	MG RESISTOR 0Ω,1/10W	R4008		NRSA02J-102X	MG RESISTOR 1kΩ,1/10W
R3083		NRSA02J-0R0X	MG RESISTOR 0Ω,1/10W	R4009		NRSA02J-102X	MG RESISTOR 1kΩ,1/10W
R3085		NRSA02J-0R0X	MG RESISTOR,B,C,D 0Ω,1/10W	R4010		NRSA02J-103X	MG RESISTOR 10kΩ,1/10W
		NRSA02J-222X	MG RESISTOR,A 2.2kΩ,1/10W	R4011		NRSA02J-472X	MG RESISTOR,A,B,C 4.7kΩ,1/10W
R3086		NRSA02J-0R0X	MG RESISTOR,B,C,D 0Ω,1/10W			NRSA02J-272X	MG RESISTOR,D 2.7kΩ,1/10W
		NRSA02J-222X	MG RESISTOR,A 2.2kΩ,1/10W	R4012		NRSA02J-222X	MG RESISTOR 2.2kΩ,1/10W
R3087		NRSA02J-0R0X	MG RESISTOR 0Ω,1/10W	R4013		NRSA02J-102X	MG RESISTOR 1kΩ,1/10W
R3088		NRSA02J-0R0X	MG RESISTOR 0Ω,1/10W	R4015		NRSA02J-562X	MG RESISTOR 5.6kΩ,1/10W
R3089		NRSA02J-0R0X	MG RESISTOR 0Ω,1/10W	R4017		NRSA02J-102X	MG RESISTOR 1kΩ,1/10W
R3091		NRSA02J-0R0X	MG RESISTOR 0Ω,1/10W	R4018		NRSA02J-102X	MG RESISTOR 1kΩ,1/10W
R3092		NRSA02J-102X	MG RESISTOR 1kΩ,1/10W	R4019		NRSA02J-103X	MG RESISTOR 10kΩ,1/10W
R3093		NRSA02J-0R0X	MG RESISTOR 0Ω,1/10W	R4020		NRSA02J-103X	MG RESISTOR 10kΩ,1/10W
R3094		NRSA02J-0R0X	MG RESISTOR 0Ω,1/10W	R4021		NRSA02J-103X	MG RESISTOR 10kΩ,1/10W
R3095		NRSA02J-0R0X	MG RESISTOR 0Ω,1/10W	R5101		QRE141J-334Y	RESISTOR 330kΩ,1/4W
R3096		NRSA02J-0R0X	MG RESISTOR 0Ω,1/10W	R5102		QRE141J-334Y	RESISTOR 330kΩ,1/4W
R3097		NRSA02J-0R0X	MG RESISTOR 0Ω,1/10W	R5103		QRE141J-683Y	RESISTOR 68kΩ,1/4W
R3103		NRSA02J-0R0X	MG RESISTOR 0Ω,1/10W	R5104		QRG029J-154G	OMF RESISTOR 150kΩ,2W
R3104		NRSA02J-0R0X	MG RESISTOR 0Ω,1/10W	R5106		QRT01DJ-R39X	MF RESISTOR 0.39Ω,1W
R3105		NRSA02J-0R0X	MG RESISTOR 0Ω,1/10W	R5107		QRE121J-331Y	RESISTOR 330Ω,1/2W
R3106		NRSA02J-0R0X	MG RESISTOR 0Ω,1/10W	R5108		NRSA02J-122X	MG RESISTOR 1.2kΩ,1/10W
R3201		NRSA02J-103X	MG RESISTOR 10kΩ,1/10W	R5109		QRE141J-681Y	RESISTOR 680Ω,1/4W
R3202		NRSA02J-472X	MG RESISTOR 4.7kΩ,1/10W	R5110		NRSA02J-224X	MG RESISTOR 220kΩ,1/10W
R3203		NRSA02J-103X	MG RESISTOR 10kΩ,1/10W	R5111		NRSA02J-561X	MG RESISTOR 560Ω,1/10W
R3204		NRSA02J-222X	MG RESISTOR 2.2kΩ,1/10W	R5112		NRSA02J-221X	MG RESISTOR 220Ω,1/10W
R3205		QRE141J-181Y	RESISTOR 180Ω,1/4W	R5301		NRSA02J-472X	MG RESISTOR 4.7kΩ,1/10W
R3206		NRSA02J-183X	MG RESISTOR 18kΩ,1/10W	R5302		NRSA02J-102X	MG RESISTOR 1kΩ,1/10W
R3207		QRE141J-183Y	RESISTOR 18kΩ,1/4W	R5303		NRSA02J-122X	MG RESISTOR 1.2kΩ,1/10W
R3208		NRSA02J-181X	MG RESISTOR 180Ω,1/10W	R5304		NRSA02J-471X	MG RESISTOR 470Ω,1/10W
R3209		NRSA02J-273X	MG RESISTOR 27kΩ,1/10W	R5305		NRSA02J-102X	MG RESISTOR 1kΩ,1/10W

#	△	REF No.	PART No.	PART NAME, DESCRIPTION	#	△	REF No.	PART No.	PART NAME, DESCRIPTION
		R5306	NRSA02J-221X	MG RESISTOR 220Ω,1/10W			B65	NRSA02J-0R0X	MG RESISTOR 0Ω,1/10W
		R5308	NRSA02J-471X	MG RESISTOR 470Ω,1/10W			B203	QUY153-050Y	IM BUS WIRE
		R5309	NRSA02J-103X	MG RESISTOR 10kΩ,1/10W			B204	QUY153-050Y	IM BUS WIRE
		R5310	NRSA02J-221X	MG RESISTOR 220Ω,1/10W			B214	QUY160-280Y	IM BUS WIRE
		R5311	NRSA02J-103X	MG RESISTOR 10kΩ,1/10W			B302	NRSA02J-0R0X	MG RESISTOR 0Ω,1/10W
		R5312	NRVA02D-332X	CMF RESISTOR 3.3kΩ,1/10W			B2051	QUY153-050Y	IM BUS WIRE,A
		R5313	NRVA02D-332X	CMF RESISTOR 3.3kΩ,1/10W			B3004	QUY160-120Y	IM BUS WIRE
		R5314	NRSA02J-102X	MG RESISTOR 1kΩ,1/10W			B3179	NRSA02J-0R0X	MG RESISTOR 0Ω,1/10W
		R5316	NRVA02D-123X	CMF RESISTOR 12kΩ,1/10W			B5302	NRSA02J-0R0X	MG RESISTOR 0Ω,1/10W
		R5317	NRSA02J-473X	MG RESISTOR 47kΩ,1/10W			B5304	NRSA02J-0R0X	MG RESISTOR 0Ω,1/10W
	△	R5318	QRZ9005-221X	FUSI RESISTOR 220Ω,1/4W			B7001	NRSA02J-0R0X	MG RESISTOR,B,C,D 0Ω,1/10W
		R5320	NRSA02J-273X	MG RESISTOR 27kΩ,1/10W			C1	NCB21HK-103X	CAPACITOR 0.01μF,50V
		R5321	NRSA02J-273X	MG RESISTOR 27kΩ,1/10W			C2	NCB21HK-103X	CAPACITOR 0.01μF,50V
		R5324	NRSA02J-472X	MG RESISTOR 4.7kΩ,1/10W			C3	NCB21HK-103X	CAPACITOR 0.01μF,50V
		R5325	QRE141J-222Y	RESISTOR 2.2kΩ,1/4W			C4	NCB21HK-103X	CAPACITOR 0.01μF,50V
		R5326	QRE141J-2R2Y	RESISTOR,B,C,D 2.2Ω,1/4W			C5	QEKJ0JM-476	E CAPACITOR 47μF,6.3V
			QUY153-050Y	IM BUS WIRE,A			C6	QCBB1HK-103	CAPACITOR 0.01μF,50V
		R5327	NRSA02J-222X	MG RESISTOR 2.2kΩ,1/10W			C7	NCB21HK-102X	CAPACITOR 0.001μF,50V
		R5329	NRSA02J-102X	MG RESISTOR 1kΩ,1/10W			C8	NCB21EK-104X	CAPACITOR 0.1μF,25V
		R5330	NRSA02J-102X	MG RESISTOR 1kΩ,1/10W			C9	QEKJ1HM-225	E CAPACITOR 2.2μF,50V
		R5332	QRE141J-222Y	RESISTOR 2.2kΩ,1/4W			C10	NDC21HG-151X	CAPACITOR 150pF,50V
		R5344	NRSA02J-472X	MG RESISTOR 4.7kΩ,1/10W			C11	NCB21EK-104X	CAPACITOR 0.1μF,25V
		R5345	QRE121J-561Y	RESISTOR 560Ω,1/2W			C12	NDC21HJ-8R0X	CAPACITOR 8pF,50V
		R6020	NRSA02J-102X	MG RESISTOR 1kΩ,1/10W			C14	NCB21EK-104X	CAPACITOR 0.1μF,25V
		R6021	NRSA02J-102X	MG RESISTOR 1kΩ,1/10W			C15	NCB21HK-103X	CAPACITOR 0.01μF,50V
		R6030	NRSA02J-102X	MG RESISTOR 1kΩ,1/10W			C16	NCB21EK-104X	CAPACITOR 0.1μF,25V
		R6031	NRSA02J-271X	MG RESISTOR 270Ω,1/10W			C17	QEKJ1HM-335	E CAPACITOR 3.3μF,50V
		R6032	NRSA02J-183X	MG RESISTOR 18kΩ,1/10W			C19	QEKJ1HM-225	E CAPACITOR 2.2μF,50V
		R6033	NRSA02J-183X	MG RESISTOR 18kΩ,1/10W			C20	QEKJ1HM-105	E CAPACITOR 1μF,50V
		R7001	NRSA02J-103X	MG RESISTOR 10kΩ,1/10W			C21	NCB21EK-104X	CAPACITOR 0.1μF,25V
		R7002	NRSA02J-103X	MG RESISTOR 10kΩ,1/10W			C22	QEKJ0JM-476	E CAPACITOR 47μF,6.3V
		R7003	NRSA02J-103X	MG RESISTOR 10kΩ,1/10W			C23	NCB21EK-104X	CAPACITOR 0.1μF,25V
		R7004	NRSA02J-103X	MG RESISTOR 10kΩ,1/10W			C24	QCBB1HK-104	CAPACITOR 0.1μF,50V
		R7005	NRSA02J-472X	MG RESISTOR 4.7kΩ,1/10W			C25	NDC21HJ-6R0X	CAPACITOR 6pF,50V
		R7006	NRSA02J-471X	MG RESISTOR 470Ω,1/10W			C26	NCB21EK-104X	CAPACITOR 0.1μF,25V
		R7007	QRE141J-103Y	RESISTOR 10kΩ,1/4W			C27	NCB21HK-223X	CAPACITOR 0.022μF,50V
		R7008	QRE141J-563Y	RESISTOR 56kΩ,1/4W			C28	QEKJ1HM-335	E CAPACITOR 3.3μF,50V
		R7009	QRE141J-103Y	RESISTOR 10kΩ,1/4W			C29	NCB21EK-333X	CAPACITOR 0.033μF,25V
		R7010	NRSA02J-0R0X	MG RESISTOR 0Ω,1/10W			C30	NCB21CK-474X	CAPACITOR 0.47μF,16V
		R7011	NRSA02J-333X	MG RESISTOR 33kΩ,1/10W			C31	QEKJ0JM-476	E CAPACITOR 47μF,6.3V
		R7012	NRSA02J-333X	MG RESISTOR 33kΩ,1/10W			C32	QCBB1HK-104	CAPACITOR 0.1μF,50V
		R7013	NRSA02J-333X	MG RESISTOR 33kΩ,1/10W			C33	QEKJ1HM-225	E CAPACITOR 2.2μF,50V
		R7014	NRSA02J-333X	MG RESISTOR 33kΩ,1/10W			C34	NCB21EK-104X	CAPACITOR 0.1μF,25V
		R7015	QRE141J-472Y	RESISTOR 4.7kΩ,1/4W			C35	NCB21HK-103X	CAPACITOR 0.01μF,50V
		R7016	NRSA02J-103X	MG RESISTOR 10kΩ,1/10W			C36	QEKJ1HM-475	E CAPACITOR 4.7μF,50V
		R7017	NRSA02J-331X	MG RESISTOR 330Ω,1/10W			C37	QEKJ1HM-105	E CAPACITOR 1μF,50V
		R7018	NRSA02J-331X	MG RESISTOR 330Ω,1/10W			C38	QEKJ0JM-476	E CAPACITOR 47μF,6.3V
		R7160	NRSA02J-101X	MG RESISTOR 100Ω,1/10W			C39	NCB21EK-104X	CAPACITOR 0.1μF,25V
		R7161	NRSA02J-101X	MG RESISTOR 100Ω,1/10W			C40	QEKJ1EM-106	E CAPACITOR 10μF,25V
		R7162	NRSA02J-101X	MG RESISTOR 100Ω,1/10W			C45	QCBB1HK-104	CAPACITOR 0.1μF,50V
		R7163	NRSA02J-750X	MG RESISTOR 75Ω,1/10W			C46	NDC21HJ-101X	CAPACITOR 100pF,50V
		R7202	NRSA02J-221X	MG RESISTOR 220Ω,1/10W			C59	NCB21HK-103X	CAPACITOR 0.01μF,50V
		R7203	NRSA02J-472X	MG RESISTOR 4.7kΩ,1/10W			C60	QEKJ0JM-476	E CAPACITOR 47μF,6.3V
		R7204	QRE121J-100Y	RESISTOR 10Ω,1/2W			C61	NCB21HK-103X	CAPACITOR 0.01μF,50V
		B8	NRSA02J-0R0X	MG RESISTOR 0Ω,1/10W			C63	NCB21EK-104X	CAPACITOR 0.1μF,25V
		B12	QUY160-220Y	IM BUS WIRE,A,B,C			C64	NDC21HJ-220X	CAPACITOR 22pF,50V
		B13	NRSA02J-0R0X	MG RESISTOR,D 0Ω,1/10W			C65	QEKJ1HM-105	E CAPACITOR 1μF,50V
		B25	NRSA02J-0R0X	MG RESISTOR 0Ω,1/10W			C69	NCB21EK-104X	CAPACITOR,A 0.1μF,25V
		B50	QUY153-050Y	IM BUS WIRE			C70	NCB21EK-104X	CAPACITOR,A 0.1μF,25V
		B52	NRSA02J-0R0X	MG RESISTOR,A,B,C 0Ω,1/10W			C71	NCB21HK-103X	CAPACITOR 0.01μF,50V
		B55	NRSA02J-0R0X	MG RESISTOR 0Ω,1/10W			C72	NDC21HJ-470X	CAPACITOR 47pF,50V

#	△ REF No.	PART No.	PART NAME, DESCRIPTION	#	△ REF No.	PART No.	PART NAME, DESCRIPTION
C73		NDC21HJ-120X	CAPACITOR 12pF,50V	C2007		QEKJ1CM-226	E CAPACITOR 22μF,16V
C76		NCB21HK-103X	CAPACITOR 0.01μF,50V	C2008		QEKJ1HM-475	E CAPACITOR 4.7μF,50V
C78		NCB21HK-103X	CAPACITOR 0.01μF,50V	C2009		NCB21HK-102X	CAPACITOR 0.001μF,50V
C80		NCB21HK-103X	CAPACITOR 0.01μF,50V	C2010		NCB21HK-152X	CAPACITOR 0.0015μF,50V
C106		NCB21HK-821X	CAPACITOR 820pF,50V	C2011		QEKJ1HM-475	E CAPACITOR 4.7μF,50V
C108		NDC21HJ-680X	CAPACITOR 68pF,50V	C2012		QEKJ1HM-475	E CAPACITOR 4.7μF,50V
C109		NCB21CK-224X	CAPACITOR 0.22μF,16V	C2013		NDC21HJ-680X	CAPACITOR 68pF,50V
C110		NDC21HJ-820X	CAPACITOR 82pF,50V	C2015		NCB21HK-682X	CAPACITOR 0.0068μF,50V
C114		NDC21HJ-181X	CAPACITOR 180pF,50V	C2051		NCB21HK-331X	CAPACITOR 330pF,50V
C124		NRSA02J-0R0X	MG RESISTOR 0Ω, 1/10W	C2052		QFLC1HJ-333Z	F CAPACITOR,B,C,D 0.033μF,50V
C139		NDC21HJ-470X	CAPACITOR 47pF,50V			QFLC1HJ-823Z	F CAPACITOR,A 0.082μF,50V
C143		QCFB1HZ-104	CAPACITOR 0.1μF,50V	C2053		NCB21HK-332X	CAPACITOR,B,C,D 0.0033μF,50V
C201		QEKJ0JM-227	E CAPACITOR 220μF,6.3V			NCB21HK-472X	CAPACITOR,A 0.0047μF,50V
C204		NCB21HK-103X	CAPACITOR 0.01μF,50V	C2054		NCB21HK-103X	CAPACITOR,B,C,D 0.01μF,50V
C206		NDC21HJ-330X	CAPACITOR 33pF,50V			NCB21HK-223X	CAPACITOR,A 0.022μF,50V
C207		NDC21HJ-330X	CAPACITOR 33pF,50V	C2055		QEKJ1EM-106	E CAPACITOR 10μF,25V
C209		NCB21CK-474X	CAPACITOR 0.47μF,16V	C2061		QFLC1HJ-333Z	F CAPACITOR,B,C,D 0.033μF,50V
C210		NDC21HJ-101X	CAPACITOR 100pF,50V	C2062		NCB21HK-332X	CAPACITOR,B,C,D 0.0033μF,50V
C211		NDC21HJ-101X	CAPACITOR 100pF,50V	C2063		NCB21HK-103X	CAPACITOR,B,C,D 0.01μF,50V
C212		NCB21EK-104X	CAPACITOR 0.1μF,25V	C2064		QEKJ1EM-106	E CAPACITOR,B,C,D 10μF,25V
C213		QERF1EM-475	E CAPACITOR 4.7μF,25V	C2201		NCB21EK-104X	CAPACITOR 0.1μF,25V
C214		NCB21CK-224X	CAPACITOR 0.22μF,16V	C2202		NCB21EK-333X	CAPACITOR 0.033μF,25V
C215		NCB21CK-224X	CAPACITOR 0.22μF,16V	C2203		QEKJ1EM-106	E CAPACITOR 10μF,25V
C217		NDC21HJ-560X	CAPACITOR 56pF,50V	C2204		QDGB1HK-102Y	CAPACITOR 0.001μF,50V
C218		QERF1HM-105	E CAPACITOR 1μF,50V	C2207		QEKJ1CM-476	E CAPACITOR 47μF,16V
C222		NCB21CK-105X	CAPACITOR 1μF,16V	C2208		QEKJ1HM-475	E CAPACITOR 4.7μF,50V
C225		QERF1AM-227	E CAPACITOR 220μF,10V	C2209		QEKJ1HM-104	E CAPACITOR,B,C,D 0.1μF,50V
C301		NDC21HJ-151X	CAPACITOR 150pF,50V	C2210		QEKJ1HM-104	E CAPACITOR,B,C,D 0.1μF,50V
C302		NCB21CK-105X	CAPACITOR 1μF,16V	C2211		QEKJ1HM-105	E CAPACITOR,B,C,D 1μF,50V
C303		NCB21HK-682X	CAPACITOR 0.0068μF,50V	C2212		QEKJ1HM-105	E CAPACITOR,B,C,D 1μF,50V
C304		NCB21HK-682X	CAPACITOR 0.0068μF,50V	C2213		QEKJ1EM-106	E CAPACITOR 10μF,25V
C305		NCB21HK-103X	CAPACITOR 0.01μF,50V	C2214		QEKJ1EM-106	E CAPACITOR 10μF,25V
C306		NCB21CK-105X	CAPACITOR 1μF,16V	C2215		QEKJ1HM-475	E CAPACITOR 4.7μF,50V
C307		NDC21HJ-151X	CAPACITOR 150pF,50V	C2216		QEKJ1HM-474	E CAPACITOR 0.47μF,50V
C308		NCB21HK-103X	CAPACITOR 0.01μF,50V	C2217		QEKJ1EM-106	E CAPACITOR 10μF,25V
C309		NCB21EK-104X	CAPACITOR 0.1μF,25V	C2218		QEKJ1HM-474	E CAPACITOR 0.47μF,50V
C310		NCB21HK-103X	CAPACITOR 0.01μF,50V	C2219		QEKJ1EM-106	E CAPACITOR 10μF,25V
C311		NCB21HK-103X	CAPACITOR 0.01μF,50V	C2220		QEKJ1HM-475	E CAPACITOR 4.7μF,50V
C312		NCB21HK-102X	CAPACITOR 0.001μF,50V	C2221		NCB21HK-103X	CAPACITOR 0.01μF,50V
C313		NCB21CK-474X	CAPACITOR 0.47μF,16V	C2222		QEKJ1HM-474	E CAPACITOR 0.47μF,50V
C315		NCB21CK-105X	CAPACITOR 1μF,16V	C2223		QEKJ1HM-474	E CAPACITOR 0.47μF,50V
C316		NCB21HK-103X	CAPACITOR 0.01μF,50V	C2224		NCB21HK-103X	CAPACITOR 0.01μF,50V
C317		NCB21HK-681X	CAPACITOR 680pF,50V	C2225		QEKJ1HM-475	E CAPACITOR 4.7μF,50V
C318		NCB21EK-223X	CAPACITOR 0.022μF,25V	C2226		QEKJ1EM-106	E CAPACITOR 10μF,25V
C319		NCB21CK-105X	CAPACITOR 1μF,16V	C2227		NCB21CK-104X	CAPACITOR 0.1μF,16V
C320		NCB21HK-103X	CAPACITOR 0.01μF,50V	C2228		NCB21CK-104X	CAPACITOR 0.1μF,16V
C321		NDC21HG-301X	CAPACITOR 300pF,50V	C2251		QEKJ0JM-476	E CAPACITOR 47μF,6.3V
C322		NCB21CK-474X	CAPACITOR 0.47μF,16V	C2252		NCB21HK-103X	CAPACITOR 0.01μF,50V
C323		QEKJ0JM-476	E CAPACITOR 47μF,6.3V	C2253		NCB21HK-103X	CAPACITOR 0.01μF,50V
C324		NDC21HJ-390X	CAPACITOR 39pF,50V	C2254		NCB21HK-103X	CAPACITOR 0.01μF,50V
C401		NCB21HK-103X	CAPACITOR,B,C,D 0.01μF,50V	C2255		NDC21HJ-181X	CAPACITOR 180pF,50V
C402		NCB21HK-223X	CAPACITOR,B,C,D 0.022μF,50V	C3001		NCB21EK-104X	CAPACITOR 0.1μF,25V
C403		NDC21HJ-131X	CAPACITOR,B,C,D 130pF,50V	C3003		QEKJ1EM-106	E CAPACITOR 10μF,25V
C404		NDC21HJ-470X	CAPACITOR,B,C,D 47pF,50V	C3008		NCB21HK-102X	CAPACITOR 0.001μF,50V
C406		NCB21HK-102X	CAPACITOR,B,C,D 0.001μF,50V	C3011		QETL0JM-338	E CAPACITOR 3300μF,6.3V
C407		NDC21HJ-150X	CAPACITOR,B,C,D 15pF,50V	C3012		QEKJ0JM-476	E CAPACITOR 47μF,6.3V
C2001		QEKJ1HM-475	E CAPACITOR 4.7μF,50V	C3014		QEKJ0JM-476	E CAPACITOR 47μF,6.3V
C2002		QEKJ1EM-106	E CAPACITOR 10μF,25V	C3015		NCB21EK-104X	CAPACITOR 0.1μF,25V
C2003		QEKJ0JM-476	E CAPACITOR 47μF,6.3V	C3016		NCB21EK-104X	CAPACITOR 0.1μF,25V
C2005		QEKJ1HM-475	E CAPACITOR 4.7μF,50V	C3020		NDC21HJ-101X	CAPACITOR 100pF,50V
C2006		NCB21EK-123X	CAPACITOR 0.012μF,25V	C3021		NDC21HJ-101X	CAPACITOR 100pF,50V

#	△	REF No.	PART No.	PART NAME, DESCRIPTION	#	△	REF No.	PART No.	PART NAME, DESCRIPTION
		C3022	NCB21EK-104X	CAPACITOR 0.1μF,25V			C7003	QEKJ0JM-227	E CAPACITOR 220μF,6.3V
		C3024	NDC21HJ-120X	CAPACITOR 12pF,50V			C7005	NDC21HJ-470X	CAPACITOR 47pF,50V
		C3026	NCB21HK-103X	CAPACITOR 0.01μF,50V			C7006	NDC21HJ-330X	CAPACITOR 33pF,50V
		C3027	QEKJ1EM-106	E CAPACITOR 10μF,25V			C7007	QEKJ1HM-106	E CAPACITOR 10μF,50V
		C3030	QEKJ0JM-476	E CAPACITOR 47μF,6.3V			C7008	NCB21HK-102X	CAPACITOR 0.001μF,50V
		C3031	NCB21EK-104X	CAPACITOR 0.1μF,25V			C7011	QCFB1HZ-104	CAPACITOR 0.1μF,50V
		C3032	NCB21EK-104X	CAPACITOR 0.1μF,25V			C7165	NCB21HK-681X	CAPACITOR 680pF,50V
		C3033	NCB21EK-104X	CAPACITOR 0.1μF,25V			C7167	NCB21HK-681X	CAPACITOR 680pF,50V
		C3036	NDC21HJ-180X	CAPACITOR 18pF,50V			C7202	QETJ0JM-477	E CAPACITOR 470μF,6.3V
		C3037	NDC21HJ-120X	CAPACITOR 12pF,50V			L1	QQL29BJ-100Z	COIL 10μH
		C3040	NCB21HK-103X	CAPACITOR 0.01μF,50V			L2	QQL071J-121Y	COIL 120μH
		C3041	NDC21HJ-100X	CAPACITOR 10pF,50V			L3	QQL29BJ-100Z	COIL 10μH
		C3050	NCB21EK-104X	CAPACITOR 0.1μF,25V			L4	QQL29BJ-100Z	COIL 10μH
		C4002	NCB21EK-104X	CAPACITOR 0.1μF,25V			L5	QQR0521-012Z	NOISE FILTER
		C4003	NCB21HK-102X	CAPACITOR 0.001μF,50V			L12	QQR0967-001	COIL 12μH
		C4004	QEKJ1AM-226	E CAPACITOR 22μF,10V			L13	QQL071J-330Y	COIL 33μH
		C4005	NCB21HK-222X	CAPACITOR 0.0022μF,50V			L15	QQL29BJ-100Z	COIL 10μH
		C4006	QEKJ0JM-476	E CAPACITOR 47μF,6.3V			L18	QQL071J-220Y	COIL 22μH
		C4007	NCB21HK-102X	CAPACITOR,A 0.001μF,50V			L19	QQL071J-120Y	COIL 12μH
			NCB21HK-561X	CAPACITOR,B,C,D 560pF,50V			L20	QUY153-050Y	IM BUS WIRE
		C4008	NCB21AK-105X	CAPACITOR 1μF,10V			L24	QQL071J-270Y	COIL 27μH
		C4009	NCB21HK-563X	CAPACITOR 0.056μF,50V			L27	QQL071J-330Y	COIL 33μH
		C4010	NCB21EK-223X	CAPACITOR 0.022μF,25V			L28	QQL071J-680Y	COIL 68μH
		C4011	NCB21EK-104X	CAPACITOR 0.1μF,25V			L30	QUY153-050Y	IM BUS WIRE
		C4012	NCB21AK-105X	CAPACITOR 1μF,10V			L201	QQL29BK-1R0Z	COIL 1.0μH
		C4013	NCB21HK-563X	CAPACITOR 0.056μF,50V			L202	QUY153-050Y	IM BUS WIRE
		C4014	NDC21HJ-101X	CAPACITOR 100pF,50V			L203	QQL29BJ-220Z	COIL 22μH
		C4015	NCB21HK-102X	CAPACITOR 0.001μF,50V			L204	QQL29BJ-100Z	COIL 10μH
△		C5001	QFZ9073-683	F CAPACITOR 0.068μF,250V			L206	QQL071J-220Y	COIL 22μH
△		C5002	QFZ9051-333	F CAPACITOR 0.033μF,250V			L301	QQL29BJ-100Z	COIL 10μH
△		C5004	QCZ9071-222	CAPACITOR 0.0022μF,250V			L302	QQL231J-6R8Y	COIL 6.8μH
		C5006	QEZ0375-686	E CAPACITOR 68μF,400V			L303	QQL231J-270Y	COIL 27μH
		C5101	QCZ0212-472	CAPACITOR 0.0047μF,1kV			L304	QQL29BJ-101Z	COIL 100μH
		C5102	QCZ0302-330Z	CAPACITOR 33pF,1kV			L401	QQL071J-150Y	COIL,B,C,D 15μH
		C5104	QEKJ1HM-105	E CAPACITOR 1μF,50V			L402	QUY153-050Y	IM BUS WIRE,B,C,D
		C5105	QFN31HJ-183	F CAPACITOR 0.018μF,50V			L2001	QUY153-050Y	IM BUS WIRE
		C5106	QCB1HJ-271	CAPACITOR 270pF,50V			L2251	QQL29BJ-100Z	COIL 10μH
		C5107	QFV91HJ-104	F CAPACITOR 0.1μF,50V			L2252	QQL29BJ-151Z	COIL 150μH
		C5201	QEMU0JM-227	E CAPACITOR 220μF,6.3V			L3001	QUY153-050Y	IM BUS WIRE
		C5202	QEMT1CM-687	E CAPACITOR 680μF,16V			L3011	QUY153-050Y	IM BUS WIRE
		C5203	QEMT1AM-128	E CAPACITOR 1200μF,10V			L3012	QUY153-050Y	IM BUS WIRE
		C5204	QETN2AM-475	E CAPACITOR 4.7μF,100V			L4001	QUY153-050Y	IM BUS WIRE
		C5205	QETN1HM-106	E CAPACITOR 10μF,50V			L5201	PELN1184	COIL 33μH
		C5206	QETN1EM-476	E CAPACITOR 47μF,25V			L5202	PU60944-330K	COIL 33μH
		C5207	QETN1CM-107	E CAPACITOR 100μF,16V			L6001	QQL29BJ-100Z	COIL 10μH
		C5208	QEMU1EM-187	E CAPACITOR 180μF,25V			L6003	QQL29BJ-470Z	COIL 47μH
		C5301	QEKJ1CM-107	E CAPACITOR 100μF,16V			L7201	QQL29BJ-100Z	COIL 10μH
		C5302	QEKJ1CM-476	E CAPACITOR 47μF,16V			X1	QAX0576-001Z	CRYSTAL RESONATOR
		C5303	QEKJ1CM-107	E CAPACITOR 100μF,16V			X2	QCB1HK-103	CAPACITOR,D 0.01μF,50V
		C5304	QFLC1HJ-102Z	F CAPACITOR 0.001μF,50V			X3001	QAX0444-001	CRYSTAL RESONATOR
		C5305	QFV91HJ-224	F CAPACITOR 0.22μF,50V			X3002	QAX0527-001	CRYSTAL RESONATOR
		C5311	NCB21HK-103X	CAPACITOR 0.01μF,50V			S3001	QSW0602-004	PUSH SWITCH,REC SAFETY
		C5351	QUY153-050Y	IM BUS WIRE			S3002	QSW0695-001	PUSH SWITCH,S.CASS SW
		C6007	QEMU0JM-227	E CAPACITOR 220μF,6.3V			S7001	QSW0456-002Z	TACT SWITCH,STAND-BY
		C6008	NCB21HK-103X	CAPACITOR 0.01μF,50V			S7002	QSW0456-002Z	TACT SWITCH,SVHS ET
		C6013	NCB21HK-103X	CAPACITOR 0.01μF,50V			S7004	QSW0456-002Z	TACT SWITCH,REC
		C6023	NRSA02J-0R0X	MG RESISTOR 0Ω,1/10W			S7006	QSW0456-002Z	TACT SWITCH,PAUSE
		C6037	QEKJ1EM-106	E CAPACITOR 10μF,25V			S7008	QSW0456-002Z	TACT SWITCH,STOP/EJECT
		C6501	QEKJ0JM-107	E CAPACITOR 100μF,6.3V			S7010	QSW0456-002Z	TACT SWITCH,PLAY
		C6502	NCB21HK-103X	CAPACITOR 0.01μF,50V			S7012	QSW0456-002Z	TACT SWITCH,E.PROG
		C7001	QEKJ0JM-476	E CAPACITOR 47μF,6.3V			S7016	QSW0456-002Z	TACT SWITCH,SAT TIMER

#	△ REF No.	PART No.	PART NAME, DESCRIPTION
	K2001	NQR0403-003X	FERRITE BEAD
	K2002	NQR0403-003X	FERRITE BEAD
	K2003	NQR0403-003X	FERRITE BEAD
	K2004	NRSA02J-0R0X	MG RESISTOR 0Ω,1/10W
	K2251	NRSA02J-0R0X	MG RESISTOR 0Ω,1/10W
	K2252	NRSA02J-0R0X	MG RESISTOR 0Ω,1/10W
	K2253	NRSA02J-0R0X	MG RESISTOR 0Ω,1/10W
	K5101	QQR0678-001Z	FERRITE BEAD
	K5102	QUY153-050Y	IM BUS WIRE
	K5301	QUY153-050Y	IM BUS WIRE
	K6080	NRSA02J-102X	MG RESISTOR 1kΩ,1/10W
	PC3001	GP3S123	IC(PHOTO SENSOR)
	PC3002	GP3S123	IC(PHOTO SENSOR)
△	PC5101	PS2561L1-1/L/	IC(PHOTO COUPLER)
	T2051	PELN0832	OSC TRANSFORMER,A
		PELN0860	OSC TRANSFORMER,B,C,D
	T2052	PELN0861	OSC TRANSFORMER,B,C,D
△	T5001	QQS0033-001	SW TRANSFORMER
	TU6001	QAU0210-001	TUNER
	ET1	PQ21623-2-5	EARTH PLATE(RF)
	DI7001	QLF0031-001	FL TUBE,A
		QLF0032-001	FL TUBE,B,C,D
	HD1	PQ35479-1-4	HOLDER(FDP),A
		LP30188-001A	HOLDER(FDP),B,C,D
	HS1	LP40621-001A	HEAT SINK,Q5101
	SD1	LP30864-001A	SHIELD CASE(PRE)
	OT1	QYTDSF3010Z	SCREW,X2
	OT2	PU59915-107	#500SPACER,WR1,D
	OT3	QYTDST3008Z	SCREW,Q5101
	WR1	QUB321-11A1A1	SIN TWIST WIRE,D
	FC5001	QNG0006-001Z	FUSE CLIP,F5001
	FC5002	QNG0006-001Z	FUSE CLIP,F5001
	J7105	QNN0381-002	PIN JACK,F_IN NI,A,B,C
		QNN0383-002	PIN JACK,AU YWR,D
△	LF5001	PELN1204-01-01	LINE FILTER
△	LF5002	QQR0978-001	LINE FILTER
	CN1	QGF1028C1-11	FPC CONNECTOR,(1-11)U.DRUM,A
		QGF1028C1-13	FPC CONNECTOR,(1-13)U.DRUM,B,C,D
	CN901	QGB2024K1-10S	CONNECTOR,(1-10)TERMINAL
	CN902	QGB2024K1-12S	CONNECTOR,(1-12)TERMINAL
	CN903	QGB2024K1-10S	CONNECTOR,(1-10)TERMINAL
	CN904	QGB2024K1-11S	CONNECTOR,(1-11)TERMINAL
	CN905	QGB2024K1-09S	CONNECTOR,(1-9)TERMINAL
	CN2001	QGF1207C1-07	FPC CONNECTOR,(1-7)A/C HEAD
	CN2002	QGB2532J1-02	CONNECTOR,(1-2)FE HEAD
	CN3001	QGF1207C1-05	FPC CONNECTOR,(1-5)DRUM MDA
	CN3002	QGB2532J1-02	CONNECTOR,(1-2)LOADING MOTOR
	CN3003	QGB2015M2-08	CONNECTOR,(1-8)CAPSTAN MOTOR
	CN3004	QGB2534J2-04	CONNECTOR,(1-4)ROTARY ENCODER
△	CN5001	QGA7901C3-02	CONNECTOR,(1-2)AC IN
	CN7001	QGF1207C1-09	FPC CONNECTOR,(1-9)ADV.JOG
△	CP3002	ICP-N25	CIRCUIT PROTECTOR
	CP4001	QUY153-050Y	IM BUS WIRE
△	CP5303	NMFZ012-1R5X-M	FUSE T1.5A,50V
△	CP5304	NMFZ012-1R0X-M	FUSE T1.0A,50V
△	F5001	QMF51E2-2R0J1	FUSE T2.0A,AC250V

#	△ REF No.	PART No.	PART NAME, DESCRIPTION

2D DIGITAL BOARD ASSEMBLY <05>(MODEL:A,B,C)			
	PW1	LPA10090-07A	2D DIGITAL BOARD ASSY
	IC1201	JCP8036	IC
△	Q1201	2SC1317/RS/-T	TRANSISTOR
	Q1202	2SA1576A/QR/-X	TRANSISTOR
		or 2PA1576/R/-X	TRANSISTOR
	Q1203	2SA1576A/QR/-X	TRANSISTOR
		or 2PA1576/R/-X	TRANSISTOR
	Q1204	2SC4081/QRS/-X	TRANSISTOR
		or 2PC4081/R/-X	TRANSISTOR
	Q1205	2SC4081/S/-X	TRANSISTOR
	Q1206	2SC4081/QRS/-X	TRANSISTOR
		or 2PC4081/R/-X	TRANSISTOR
	D1201	RD4.3ES/B3/-T2	ZENER DIODE
	D1202	QUY153-050Y	IM BUS WIRE
	R1201	NRSA02J-121X	MG RESISTOR 120Ω,1/10W
	R1202	NRSA02J-101X	MG RESISTOR 100Ω,1/10W
	R1203	NRSA02J-221X	MG RESISTOR 220Ω,1/10W
	R1204	NRSA02J-221X	MG RESISTOR 220Ω,1/10W
	R1205	NRSA02J-102X	MG RESISTOR 1kΩ,1/10W
	R1206	NRSA02J-561X	MG RESISTOR 560Ω,1/10W
	R1207	NRSA02J-562X	MG RESISTOR 5.6kΩ,1/10W
	R1208	NRSA02J-123X	MG RESISTOR 12kΩ,1/10W
	R1209	NRSA02J-180X	MG RESISTOR 18Ω,1/10W
	R1210	NRSA02J-393X	MG RESISTOR 39kΩ,1/10W
	R1211	NRSA02J-103X	MG RESISTOR 10kΩ,1/10W
	R1212	NRSA02J-102X	MG RESISTOR 1kΩ,1/10W
	R1213	NRSA02J-331X	MG RESISTOR 330Ω,1/10W
	R1214	NRSA02J-101X	MG RESISTOR 100Ω,1/10W
	R1215	NRSA02J-102X	MG RESISTOR 1kΩ,1/10W
	R1216	NRSA02J-331X	MG RESISTOR 330Ω,1/10W
	R1217	NRSA02J-101X	MG RESISTOR 100Ω,1/10W
	R1218	NRSA02J-301X	MG RESISTOR 300Ω,1/10W
	R1222	NRSA02J-471X	MG RESISTOR 470Ω,1/10W
	R1224	NRSA02J-561X	MG RESISTOR 560Ω,1/10W
	R1225	NRSA02J-273X	MG RESISTOR 27kΩ,1/10W
	R1226	NRSA02J-153X	MG RESISTOR 15kΩ,1/10W
	R1227	NRSA02J-561X	MG RESISTOR 560Ω,1/10W
	R1228	NRSA02J-391X	MG RESISTOR 390Ω,1/10W
	R1230	NRSA02J-0R0X	MG RESISTOR 0Ω,1/10W
	R1231	NRSA02J-0R0X	MG RESISTOR 0Ω,1/10W
	R1232	NRSA02J-0R0X	MG RESISTOR 0Ω,1/10W
	R1233	NRSA02J-0R0X	MG RESISTOR 0Ω,1/10W
	VR1201	QVZ3521-103Z	V RESISTOR,D/A LEVEL ADJ
	B1204	NRSA02J-0R0X	MG RESISTOR 0Ω,1/10W
	C1201	QEKJ0JM-476	E CAPACITOR 47μF,6.3V
	C1208	NDC21HJ-101X	CAPACITOR 100pF,50V
	C1210	NDC21HJ-330X	CAPACITOR 33pF,50V
	C1211	QEKJ0JM-476	E CAPACITOR 47μF,6.3V
	C1212	NCB21HK-102X	CAPACITOR 0.001μF,50V
	C1213	NCF21EZ-104X	CAPACITOR 0.1μF,25V
	C1214	NCF21CZ-105X	CAPACITOR 1μF,16V
	C1215	QEKJ0JM-476	E CAPACITOR 47μF,6.3V
	C1216	NCF21EZ-104X	CAPACITOR 0.1μF,25V
	C1217	NCF21EZ-104X	CAPACITOR 0.1μF,25V
	C1218	NCF21EZ-104X	CAPACITOR 0.1μF,25V
	C1219	NCF21CZ-105X	CAPACITOR 1μF,16V
	C1220	QEKJ0JM-476	E CAPACITOR 47μF,6.3V

#	△	REF No.	PART No.	PART NAME, DESCRIPTION	#	△	REF No.	PART No.	PART NAME, DESCRIPTION	
C1222			NDC21HJ-820X	CAPACITOR	82pF,50V	Q1413		2SA1576A/QR/-X	TRANSISTOR	
C1223			NDC21HJ-270X	CAPACITOR	27pF,50V			or 2PA1576/R/-X	TRANSISTOR	
C1225			NDC21HJ-820X	CAPACITOR	82pF,50V	Q1414		DTC144WU	TRANSISTOR	
C1226			NDC21HJ-270X	CAPACITOR	27pF,50V			or RN1309	TRANSISTOR	
C1227			NCB21EK-104X	CAPACITOR	0.1μF,25V			or UN521E	TRANSISTOR	
C1228			QEKJ1HM-475	E CAPACITOR	4.7μF,50V	Q1417		2SC4081/QRS/-X	TRANSISTOR	
C1229			NCB21HK-103X	CAPACITOR	0.01μF,50V			or 2PC4081/R/-X	TRANSISTOR	
C1230			NCF21EZ-104X	CAPACITOR	0.1μF,25V	Q1418		2SA1576A/QR/-X	TRANSISTOR	
C1231			NCF21EZ-104X	CAPACITOR	0.1μF,25V			or 2PA1576/R/-X	TRANSISTOR	
C1232			NCF21EZ-104X	CAPACITOR	0.1μF,25V	Q1419		DTC124TU	TRANSISTOR	
C1233			QDYB1CM-103Y	CAPACITOR	0.01μF,16V	Q1420		2SC4081/QRS/-X	TRANSISTOR	
C1234			NCF21EZ-104X	CAPACITOR	0.1μF,25V			or 2PC4081/R/-X	TRANSISTOR	
C1235			QEKJ0JM-476	E CAPACITOR	47μF,6.3V	D1401		RD4.3ES/B3/-T2	ZENER DIODE	
C1236			NCF21EZ-104X	CAPACITOR	0.1μF,25V	D1402		1SS133	DIODE	
C1237			NCF21EZ-104X	CAPACITOR	0.1μF,25V			or 1N4148M	DIODE	
C1238			NDC21HJ-180X	CAPACITOR	18pF,50V	R1401		NRSA02J-181X	MG RESISTOR	180Ω, 1/10W
C1239			NDC21HJ-560X	CAPACITOR	56pF,50V	R1402		NRSA02J-101X	MG RESISTOR	100Ω, 1/10W
C1243			NCB21HK-103X	CAPACITOR	0.01μF,50V	R1404		NRSA02J-182X	MG RESISTOR	1.8kΩ, 1/10W
C1244			QEKJ1HM-475	E CAPACITOR	4.7μF,50V	R1406		NRSA02J-471X	MG RESISTOR	470Ω, 1/10W
C1245			NDC21HJ-150X	CAPACITOR	15pF,50V	R1407		NRSA02J-272X	MG RESISTOR	2.7kΩ, 1/10W
C1246			QEKJ0JM-476	E CAPACITOR	47μF,6.3V	R1408		NRSA02J-122X	MG RESISTOR	1.2kΩ, 1/10W
C1248			NCB21HK-103X	CAPACITOR	0.01μF,50V	R1410		NRSA02J-391X	MG RESISTOR	390Ω, 1/10W
L1201			QQL071J-1R0Y	COIL	1.0μH	R1411		NRSA02J-152X	MG RESISTOR	1.5kΩ, 1/10W
L1202			QQL29BJ-101Z	COIL	100μH	R1413		NRSA02J-331X	MG RESISTOR	330Ω, 1/10W
L1203			QQL29BJ-101Z	COIL	100μH	R1414		NRSA02J-821X	MG RESISTOR	820Ω, 1/10W
L1204			QQL29BJ-101Z	COIL	100μH	R1415		NRSA02J-221X	MG RESISTOR	220Ω, 1/10W
L1205			QQL071J-6R8Y	COIL	6.8μH	R1416		NRSA02J-104X	MG RESISTOR	100kΩ, 1/10W
L1206			QQL071J-6R8Y	COIL	6.8μH	R1417		NRSA02J-101X	MG RESISTOR	100Ω, 1/10W
L1207			QQL29BJ-101Z	COIL	100μH	R1418		NRSA02J-471X	MG RESISTOR	470Ω, 1/10W
L1208			QQL071J-150Y	COIL	15μH	R1421		NRSA02J-391X	MG RESISTOR	390Ω, 1/10W
L1209			QUY153-050Y	IM BUS WIRE		R1426		NRSA02J-561X	MG RESISTOR	560Ω, 1/10W
△	LC1201		QQL29BJ-101Z	COIL	100μH	R1427		NRSA02J-333X	MG RESISTOR	33kΩ, 1/10W
	SD1		LP30706-001C	SHIELD FRAME(S-VHS)		R1428		NRSA02J-393X	MG RESISTOR	39kΩ, 1/10W
	SD2		LP30684-001A	SHIELD CASE(S-VHS)		R1429		NRSA02J-152X	MG RESISTOR	1.5kΩ, 1/10W
	CN1201		QGG2502K1-17	HEADER PIN		R1430		NRSA02J-222X	MG RESISTOR	2.2kΩ, 1/10W
						R1431		NRSA02J-821X	MG RESISTOR	820Ω, 1/10W
						R1432		NRSA02J-182X	MG RESISTOR	1.8kΩ, 1/10W
						R1433		NRSA02J-510X	MG RESISTOR	51Ω, 1/10W
						R1434		NRSA02J-153X	MG RESISTOR	15kΩ, 1/10W
						R1435		NRSA02J-223X	MG RESISTOR	22kΩ, 1/10W
						R1436		NRSA02J-682X	MG RESISTOR	6.8kΩ, 1/10W
						R1437		NRSA02J-392X	MG RESISTOR	3.9kΩ, 1/10W
						R1438		NRSA02J-473X	MG RESISTOR	47kΩ, 1/10W
						R1439		NRSA02J-273X	MG RESISTOR	27kΩ, 1/10W
						R1440		NRSA02J-473X	MG RESISTOR	47kΩ, 1/10W
						R1441		NRSA02J-682X	MG RESISTOR	6.8kΩ, 1/10W
						R1442		NRSA02J-682X	MG RESISTOR	6.8kΩ, 1/10W
						R1446		NRSA02J-102X	MG RESISTOR	1kΩ, 1/10W
						R1447		NRSA02J-102X	MG RESISTOR	1kΩ, 1/10W
						R1448		NRSA02J-102X	MG RESISTOR	1kΩ, 1/10W
						R1449		NRSA02J-102X	MG RESISTOR	1kΩ, 1/10W
						R1450		NRSA02J-102X	MG RESISTOR	1kΩ, 1/10W
						R1452		NRSA02J-471X	MG RESISTOR	470Ω, 1/10W
						R1453		NRSA02J-102X	MG RESISTOR	1kΩ, 1/10W
						R1454		NRSA02J-102X	MG RESISTOR	1kΩ, 1/10W
						R1455		NRSA02J-681X	MG RESISTOR	680Ω, 1/10W
						R1458		NRSA02J-681X	MG RESISTOR	680Ω, 1/10W
						R1459		NRSA02J-681X	MG RESISTOR	680Ω, 1/10W
						R1460		NRSA02J-273X	MG RESISTOR	27kΩ, 1/10W
						R1461		NRSA02J-121X	MG RESISTOR	120Ω, 1/10W
						R1463		NRSA02J-101X	MG RESISTOR	100Ω, 1/10W

3D DIGITAL/2M BOARD ASSEMBLY <05>(MODEL:D)

PW1	LPA10105-05A	3D DIGITAL/2M BOARD ASSY
IC1401	JCP8026	IC
△	Q1401	2SC1317/RS/-T TRANSISTOR
	Q1402	2SA1576A/QR/-X TRANSISTOR
		or 2PA1576/R/-X TRANSISTOR
	Q1403	2SA1576A/QR/-X TRANSISTOR
		or 2PA1576/R/-X TRANSISTOR
	Q1404	DTC144WU TRANSISTOR
		or RN1309 TRANSISTOR
		or UN521E TRANSISTOR
	Q1406	2SA1576A/QR/-X TRANSISTOR
		or 2PA1576/R/-X TRANSISTOR
	Q1407	2SA1576A/QR/-X TRANSISTOR
		or 2PA1576/R/-X TRANSISTOR
	Q1408	2SC4081/S/-X TRANSISTOR
	Q1410	2SC4081/QRS/-X TRANSISTOR
		or 2PC4081/R/-X TRANSISTOR
	Q1412	2SC4081/QRS/-X TRANSISTOR
		or 2PC4081/R/-X TRANSISTOR

#	△ REF No.	PART No.	PART NAME, DESCRIPTION
VR1401		QVZ3521-103Z	V RESISTOR,D/A LEVEL ADJ
B1412		NRSA02J-0R0X	MG RESISTOR 0Ω,1/10W
C1401		QEKJ1CM-336	E CAPACITOR 33μF,16V
C1402		NCB21HK-103X	CAPACITOR 0.01μF,50V
C1403		QEKJ0JM-337	E CAPACITOR 330μF,6.3V
C1404		NCF21EZ-104X	CAPACITOR 0.1μF,25V
C1405		NCF21EZ-104X	CAPACITOR 0.1μF,25V
C1406		NCB21HK-103X	CAPACITOR 0.01μF,50V
C1407		NDC21HJ-680X	CAPACITOR 68pF,50V
C1408		NDC21HJ-330X	CAPACITOR 33pF,50V
C1410		QEKJ1EM-475	E CAPACITOR 4.7μF,25V
C1411		NCF21EZ-104X	CAPACITOR 0.1μF,25V
C1412		NDC21HJ-680X	CAPACITOR 68pF,50V
C1413		NDC21HJ-330X	CAPACITOR 33pF,50V
C1415		NCF21EZ-104X	CAPACITOR 0.1μF,25V
C1416		QEKJ1CM-106	E CAPACITOR 10μF,16V
C1417		NCF21EZ-104X	CAPACITOR 0.1μF,25V
C1421		NDC21HJ-330X	CAPACITOR 33pF,50V
C1422		NDC21HJ-680X	CAPACITOR 68pF,50V
C1423		NCF21EZ-104X	CAPACITOR 0.1μF,25V
C1424		NCB21HK-103X	CAPACITOR 0.01μF,50V
C1425		NCB21HK-103X	CAPACITOR 0.01μF,50V
C1426		NDC21HJ-390X	CAPACITOR 39pF,50V
C1428		NDC21HJ-220X	CAPACITOR 22pF,50V
C1429		QEKJ0JM-337	E CAPACITOR 330μF,6.3V
C1430		NCF21EZ-104X	CAPACITOR 0.1μF,25V
C1432		NCF21CZ-105X	CAPACITOR 1μF,16V
C1433		NCF21EZ-104X	CAPACITOR 0.1μF,25V
C1435		NCF21EZ-104X	CAPACITOR 0.1μF,25V
C1436		NCF21EZ-104X	CAPACITOR 0.1μF,25V
C1437		NCF21EZ-104X	CAPACITOR 0.1μF,25V
C1438		NCF21EZ-104X	CAPACITOR 0.1μF,25V
C1439		NCF21CZ-105X	CAPACITOR 1μF,16V
C1440		NCF21EZ-104X	CAPACITOR 0.1μF,25V
C1441		NCF21EZ-104X	CAPACITOR 0.1μF,25V
C1442		NCF21CZ-105X	CAPACITOR 1μF,16V
C1444		NCF21EZ-104X	CAPACITOR 0.1μF,25V
C1445		NCF21EZ-104X	CAPACITOR 0.1μF,25V
C1446		QEKJ0JM-476	E CAPACITOR 47μF,6.3V
C1447		NCF21EZ-104X	CAPACITOR 0.1μF,25V
C1448		QEKJ0JM-476	E CAPACITOR 47μF,6.3V
C1449		NCF21EZ-104X	CAPACITOR 0.1μF,25V
C1450		NCF21EZ-104X	CAPACITOR 0.1μF,25V
C1451		QEKJ1EM-475	E CAPACITOR 4.7μF,25V
C1452		NCF21EZ-104X	CAPACITOR 0.1μF,25V
C1453		NCF21EZ-104X	CAPACITOR 0.1μF,25V
C1454		NCF21EZ-104X	CAPACITOR 0.1μF,25V
C1455		NCF21EZ-104X	CAPACITOR 0.1μF,25V
C1463		QEKJ0JM-336	E CAPACITOR 33μF,6.3V
C1468		NDC21HJ-101X	CAPACITOR 100pF,50V
C1470		NDC21HJ-330X	CAPACITOR 33pF,50V
C1471		NCF21EZ-104X	CAPACITOR 0.1μF,25V
C1472		NCF21EZ-104X	CAPACITOR 0.1μF,25V
C1473		NCF21EZ-104X	CAPACITOR 0.1μF,25V
L1401		QQL29BJ-100Z	COIL 10μH
L1402		QQL071J-6R8Y	COIL 6.8μH
L1403		QQL071J-6R8Y	COIL 6.8μH
L1404		QQL071J-6R8Y	COIL 6.8μH
L1405		QQL01BJ-101Z	COIL 100μH
L1406		QQL071J-330Y	COIL 33μH
L1407		QQL01BJ-101Z	COIL 100μH

#	△ REF No.	PART No.	PART NAME, DESCRIPTION
L1409		QQL071J-1R0Y	COIL 1.0μH
LC1401		QQR0521-007Z	NOISE FILTER
LC1402		QQR0521-006Z	NOISE FILTER
SD1		LP30706-001C	SHIELD FRAME(S-VHS)
SD2		LP30684-001A	SHIELD CASE(S-VHS)
CN1401		QGG2502K1-17	HEADER PIN

TERMINAL BOARD ASSEMBLY <06>

PW1	LPA10138-05A	TERMINAL BOARD ASSY,A
	LPA10138-03B	TERMINAL BOARD ASSY,B,C,D
IC501	JCP8018	IC
	or JCP8028	IC
	or JCP8028-01	IC
	or JCP8038	IC
IC502	VC2076DP	IC
IC901	BH7636S	IC
Q901	UN5211	TRANSISTOR
	or RN1302	TRANSISTOR
	or DTC114EU	TRANSISTOR
	or PDTC114EU	TRANSISTOR
Q902	2SB1218A/QR/-X	TRANSISTOR
	or 2PA1576/R/-X	TRANSISTOR
	or 2SA1576A/QR/-X	TRANSISTOR
Q903	2SB1218A/QR/-X	TRANSISTOR,B,C,D
	or 2PA1576/R/-X	TRANSISTOR,B,C,D
	or 2SA1576A/QR/-X	TRANSISTOR,B,C,D
Q904	2SB1218A/QR/-X	TRANSISTOR,B,C,D
	or 2PA1576/R/-X	TRANSISTOR,B,C,D
	or 2SA1576A/QR/-X	TRANSISTOR,B,C,D
Q905	UN521E	TRANSISTOR
	or DTC144WU	TRANSISTOR
	or PDTC144WU	TRANSISTOR
	or RN1309	TRANSISTOR
Q906	2SD1819A/QRS/-X	TRANSISTOR
	or 2SC4081/QRS/-X	TRANSISTOR
	or 2PC4081/R/-X	TRANSISTOR
Q907	2SD1819A/QRS/-X	TRANSISTOR
	or 2PC4081/R/-X	TRANSISTOR
	or 2SC4081/QRS/-X	TRANSISTOR
Q908	2SD1819A/QRS/-X	TRANSISTOR
	or 2SC4081/QRS/-X	TRANSISTOR
	or 2PC4081/R/-X	TRANSISTOR
Q909	2SB1218A/QR/-X	TRANSISTOR
	or 2PA1576/R/-X	TRANSISTOR
	or 2SA1576A/QR/-X	TRANSISTOR
Q910	2SB1218A/QR/-X	TRANSISTOR
	or 2SA1576A/QR/-X	TRANSISTOR
	or 2PA1576/R/-X	TRANSISTOR
Q911	UN521E	TRANSISTOR
	or RN1309	TRANSISTOR
	or DTC144WU	TRANSISTOR
	or PDTC144WU	TRANSISTOR
Q912	UN5215	TRANSISTOR
	or RN1311	TRANSISTOR
	or DTC114TU	TRANSISTOR
	or PDTC114TU	TRANSISTOR

#	△	REF No.	PART No.	PART NAME, DESCRIPTION	#	△	REF No.	PART No.	PART NAME, DESCRIPTION	
R503			NRSA02J-221X	MG RESISTOR	220Ω,1/10W	R944		NRSA02J-272X	MG RESISTOR	2.7kΩ,1/10W
R504			NRSA02J-332X	MG RESISTOR	3.3kΩ,1/10W	R945		NRSA02J-102X	MG RESISTOR	1kΩ,1/10W
R505			NRSA02J-392X	MG RESISTOR	3.9kΩ,1/10W	R946		NRSA02J-561X	MG RESISTOR	560Ω,1/10W
R506			NRSA02J-391X	MG RESISTOR	390Ω,1/10W	R947		NRSA02J-682X	MG RESISTOR	6.8kΩ,1/10W
R507			NRSA02J-122X	MG RESISTOR	1.2kΩ,1/10W	R949		QRE121J-331Y	RESISTOR	330Ω,1/2W
R508			NRSA02J-151X	MG RESISTOR	150Ω,1/10W	R951		NRSA02J-332X	MG RESISTOR	3.3kΩ,1/10W
R509			NRSA02J-162X	MG RESISTOR	1.6kΩ,1/10W	R952		NRSA02J-562X	MG RESISTOR	5.6kΩ,1/10W
R510			NRVA02D-102X	CMF RESISTOR	1kΩ,1/10W	R953		NRSA02J-562X	MG RESISTOR	5.6kΩ,1/10W
R511			NRVA02D-471X	CMF RESISTOR	470Ω,1/10W	R964		NRSA02J-101X	MG RESISTOR	100Ω,1/10W
R512			NRVA02D-102X	CMF RESISTOR	1kΩ,1/10W	C501		QEKJ1HM-225	E CAPACITOR	2.2μF,50V
R513			NRVA02D-152X	CMF RESISTOR	1.5kΩ,1/10W	C502		QEKJ1HM-475	E CAPACITOR	4.7μF,50V
R514			NRVA02D-332X	CMF RESISTOR	3.3kΩ,1/10W	C503		QEKJ1HM-225	E CAPACITOR	2.2μF,50V
R515			NRVA02D-332X	CMF RESISTOR	3.3kΩ,1/10W	C504		NCB21EK-104X	CAPACITOR	0.1μF,25V
R516			QUY160-100Y	IM BUS WIRE		C505		QEKJ1HM-475	E CAPACITOR	4.7μF,50V
R517			QUY160-100Y	IM BUS WIRE		C506		NCB21HK-103X	CAPACITOR	0.01μF,50V
R525			QRE141J-125Y	RESISTOR	1.2MΩ,1/4W	C507		QEKJ0JM-476	E CAPACITOR	47μF,6.3V
R531			NRSA02J-101X	MG RESISTOR	100Ω,1/10W	C508		QEKJ1HM-474	E CAPACITOR	0.47μF,50V
R532			NRSA02J-101X	MG RESISTOR	100Ω,1/10W	C509		QEKJ1CM-106	E CAPACITOR	10μF,16V
R533			NRSA02J-101X	MG RESISTOR	100Ω,1/10W	C510		QEKJ0JM-476	E CAPACITOR	47μF,6.3V
R534			NRSA02J-101X	MG RESISTOR	100Ω,1/10W	C511		NCB21HK-103X	CAPACITOR	0.01μF,50V
R535			NRSA02J-101X	MG RESISTOR	100Ω,1/10W	C512		NCB21HK-103X	CAPACITOR	0.01μF,50V
R536			NRSA02J-101X	MG RESISTOR	100Ω,1/10W	C513		QEKJ1HM-475	E CAPACITOR	4.7μF,50V
R901			NRSA02J-750X	MG RESISTOR	75Ω,1/10W	C514		NCB21HK-103X	CAPACITOR	0.01μF,50V
R902			NRSA02J-750X	MG RESISTOR	75Ω,1/10W	C515		NCB21HK-103X	CAPACITOR	0.01μF,50V
R903			QRE141J-680Y	RESISTOR	68Ω,1/4W	C516		NCB21HK-103X	CAPACITOR	0.01μF,50V
R904			NQL402M-4R7X	INDUCTOR		C518		NCB21EK-104X	CAPACITOR	0.1μF,25V
R905			NQL402M-4R7X	INDUCTOR		C519		QEKJ1HM-225	E CAPACITOR	2.2μF,50V
R906			QQL231J-100Y	COIL	10μH	C520		QEKJ1HM-475	E CAPACITOR	4.7μF,50V
R907			QQL231J-100Y	COIL	10μH	C521		QEKJ1HM-475	E CAPACITOR	4.7μF,50V
R908			NRSA02J-0R0X	MG RESISTOR	0Ω,1/10W	C522		QEKJ1HM-225	E CAPACITOR	2.2μF,50V
R909			NRSA02J-750X	MG RESISTOR	75Ω,1/10W	C523		QEKJ1HM-225	E CAPACITOR	2.2μF,50V
R910			NRSA02J-750X	MG RESISTOR	75Ω,1/10W	C524		NDC21HG-301X	CAPACITOR	300pF,50V
R911			NRSA02J-750X	MG RESISTOR	75Ω,1/10W	C525		NDC21HG-301X	CAPACITOR	300pF,50V
R912			NRSA02J-101X	MG RESISTOR	100Ω,1/10W	C526		NDC21HJ-101X	CAPACITOR	100pF,50V
R913			NRSA02J-101X	MG RESISTOR	100Ω,1/10W	C527		NDC21HJ-181X	CAPACITOR	180pF,50V
R914			QQL231J-100Y	COIL	10μH	C528		NDC21HG-271X	CAPACITOR	270pF,50V
R915			QQL231J-100Y	COIL	10μH	C529		NDC21HG-820X	CAPACITOR	82pF,50V
R916			NRSA02J-102X	MG RESISTOR	1kΩ,1/10W	C530		NDC21HG-221X	CAPACITOR	220pF,50V
R917			NRSA02J-0R0X	MG RESISTOR	0Ω,1/10W	C531		NDC21HG-301X	CAPACITOR	300pF,50V
R918			NRSA02J-0R0X	MG RESISTOR	0Ω,1/10W	C532		NDC21HG-301X	CAPACITOR	300pF,50V
R919			QRE141J-101Y	RESISTOR,B,C,D	100Ω,1/4W	C533		NCB21HK-103X	CAPACITOR	0.01μF,50V
R920			QRE141J-101Y	RESISTOR,B,C,D	100Ω,1/4W	C534		QEKJ0JM-476	E CAPACITOR	47μF,6.3V
R921			QRE121J-391Y	RESISTOR,B,C,D	390Ω,1/2W	C535		NCB21HK-103X	CAPACITOR	0.01μF,50V
R922			QRE121J-391Y	RESISTOR,B,C,D	390Ω,1/2W	C551		QEKJ1HM-105	E CAPACITOR	1μF,50V
R923			NRSA02J-750X	MG RESISTOR,B,C,D	75Ω,1/10W	C553		QCBB1HK-103	CAPACITOR	0.01μF,50V
R924			NRSA02J-750X	MG RESISTOR,B,C,D	75Ω,1/10W	C554		QEKJ1HM-105	E CAPACITOR	1μF,50V
R929			NRSA02J-820X	MG RESISTOR	82Ω,1/10W	C556		QCBB1HK-103	CAPACITOR	0.01μF,50V
R930			NRSA02J-750X	MG RESISTOR	75Ω,1/10W	C557		QEKJ1HM-105	E CAPACITOR	1μF,50V
R931			NRSA02J-101X	MG RESISTOR	100Ω,1/10W	C559		NCB21HK-103X	CAPACITOR	0.01μF,50V
R932			NRSA02J-511X	MG RESISTOR	510Ω,1/10W	C560		QEKJ1HM-105	E CAPACITOR	1μF,50V
R933			NRSA02J-471X	MG RESISTOR	470Ω,1/10W	C561		QEKJ1HM-105	E CAPACITOR	1μF,50V
R934			QRE141J-101Y	RESISTOR	100Ω,1/4W	C562		QEKJ1HM-105	E CAPACITOR	1μF,50V
R935			QRE141J-101Y	RESISTOR	100Ω,1/4W	C564		NCB21HK-103X	CAPACITOR	0.01μF,50V
R936			QRE141J-101Y	RESISTOR	100Ω,1/4W	C566		NCB21HK-103X	CAPACITOR	0.01μF,50V
R937			QRE141J-101Y	RESISTOR	100Ω,1/4W	C568		NDC21HJ-680X	CAPACITOR	68pF,50V
R938			QRE141J-101Y	RESISTOR	100Ω,1/4W	C569		NDC21HJ-680X	CAPACITOR	68pF,50V
R939			QRE141J-101Y	RESISTOR	100Ω,1/4W	C570		NDC21HJ-680X	CAPACITOR	68pF,50V
R940			NRSA02J-103X	MG RESISTOR	10kΩ,1/10W	C571		NDC21HJ-680X	CAPACITOR	68pF,50V
R941			NRSA02J-332X	MG RESISTOR	3.3kΩ,1/10W	C572		NDC21HJ-680X	CAPACITOR	68pF,50V
R942			NRSA02J-472X	MG RESISTOR	4.7kΩ,1/10W	C573		NDC21HJ-680X	CAPACITOR	68pF,50V
R943			NRSA02J-0R0X	MG RESISTOR	0Ω,1/10W	C575		NDC21HJ-101X	CAPACITOR	100pF,50V

#	△ REF No.	PART No.	PART NAME, DESCRIPTION
C901		NCB21HK-331X	CAPACITOR 330pF,50V
C902		NCB21HK-331X	CAPACITOR 330pF,50V
C903		NCB21HK-471X	CAPACITOR 470pF,50V
C904		NCB21HK-471X	CAPACITOR 470pF,50V
C905		NCB21HK-331X	CAPACITOR 330pF,50V
C906		NCB21HK-331X	CAPACITOR 330pF,50V
C907		NCB21HK-471X	CAPACITOR 470pF,50V
C908		NCB21HK-471X	CAPACITOR 470pF,50V
C910		NCB21HK-102X	CAPACITOR 0.001μF,50V
C912		NCB21HK-102X	CAPACITOR 0.001μF,50V
C913		NCB21HK-103X	CAPACITOR,B,C,D 0.01μF,50V
C914		NCB21HK-103X	CAPACITOR,B,C,D 0.01μF,50V
C915		NCB21HK-103X	CAPACITOR 0.01μF,50V
C916		NCB21HK-223X	CAPACITOR 0.022μF,50V
C917		NCB21HK-223X	CAPACITOR 0.022μF,50V
C918		QCBB1HK-223	CAPACITOR 0.022μF,50V
C921		NDC21HJ-330X	CAPACITOR 33pF,50V
C923		QEKJ1CM-476	E CAPACITOR 47μF,16V
C924		NCB21HK-103X	CAPACITOR 0.01μF,50V
C925		NCB21HK-223X	CAPACITOR 0.022μF,50V
C927		QEKJ1CM-476	E CAPACITOR 47μF,16V
C928		NCB21HK-103X	CAPACITOR 0.01μF,50V
C931		QEKJ1EM-106	E CAPACITOR 10μF,25V
C935		NCB21HK-471X	CAPACITOR 470pF,50V
C936		NCB21HK-471X	CAPACITOR 470pF,50V
C937		NCB21HK-331X	CAPACITOR 330pF,50V
C938		NCB21HK-331X	CAPACITOR 330pF,50V
C939		NCB21HK-471X	CAPACITOR 470pF,50V
C940		NCB21HK-471X	CAPACITOR 470pF,50V
C941		QEKJ0JM-227	E CAPACITOR,B,C,D 220μF,6.3V
C942		QEKJ1CM-476	E CAPACITOR,B,C,D 47μF,16V
C943		QEKJ1CM-107	E CAPACITOR 100μF,16V
C945		QEKJ1EM-106	E CAPACITOR 10μF,25V
C946		QEKJ1EM-106	E CAPACITOR 10μF,25V
C950		QEKJ0JM-227	E CAPACITOR,B,C,D 220μF,6.3V
C951		QEKJ1CM-476	E CAPACITOR 47μF,16V
C958		NCB21HK-331X	CAPACITOR 330pF,50V
C959		NCB21HK-331X	CAPACITOR 330pF,50V
L501		QQL29BJ-100Z	COIL 10μH
L503		QQL29BJ-100Z	COIL 10μH
L504		QQL29BJ-100Z	COIL 10μH
L505		QUY153-050Y	IM BUS WIRE
L901		QQL231J-R22Y	COIL 0.22μH
L902		QQL071J-1R0Y	COIL 1.0μH
L903		QQL071J-150Y	COIL 15μH
L904		QQL071J-150Y	COIL 15μH
L906		QUY153-050Y	IM BUS WIRE,B,C,D
L907		QUY153-050Y	IM BUS WIRE
L910		QQL071J-1R0Y	COIL 1.0μH
L913		QQL071J-4R7Y	COIL 4.7μH
L914		QQL071J-4R7Y	COIL 4.7μH
L915		QQL071J-4R7Y	COIL 4.7μH
L916		QQL071J-4R7Y	COIL 4.7μH
L917		QQL071J-4R7Y	COIL 4.7μH
L918		QQL071J-4R7Y	COIL 4.7μH
L919		QQL071J-4R7Y	COIL 4.7μH
L920		QQL071J-4R7Y	COIL 4.7μH
ET1		LP30918-001A	EARTH PLATE
ET2		LP30915-001A	EARTH PLATE
△ TB1		LP21028-001A	TERMINAL BOARD,A
△		LP21028-002A	TERMINAL BOARD,B,C,D

#	△ REF No.	PART No.	PART NAME, DESCRIPTION
OT1		QYTDSF3008Z	SCREW,X6
J901		PEMC1177	RGB21PIN SOCKET,AV1
J902		PEMC1177	RGB21PIN SOCKET,AV2
J904		QND0084-001	S JACK,S OUT,B,C,D
J915		QNN0418-003	PIN JACK,A.OUT(L)
J916		QNN0418-002	PIN JACK,A.OUT(R)
J921		PU60659	MINI JACK,SAT.CTL
J922		PU60659	MINI JACK,PAUSE/RAE,B,C,D
CN511		QGF1208F1-11	FPC CONNECTOR,(1-11)S/P CONVERTER
CN911		QGB2024J1-10S	CONNECTOR,(1-10)MAIN
CN912		QGB2024J1-12S	CONNECTOR,(1-12)MAIN
CN913		QGB2024J1-10S	CONNECTOR,(1-10)MAIN
CN914		QGB2024J1-11S	CONNECTOR,(1-11)MAIN
CN915		QGB2024J1-09S	CONNECTOR,(1-9)MAIN
CN916		QGF1208F1-04	FPC CONNECTOR,(1-4)MAIN

A/C HEAD BOARD ASSEMBLY <12>

PW1	LP10122-01A1	A/C HEAD BOARD ASSY
CN1	QGF1208F1-07	FPC CONNECTOR

DEMOD BOARD ASSEMBLY <14>

PW1	LPA10094-05A	DEMOD BOARD ASSY	
IC6701	MSP3417D	IC	
	or MSP3417DG3	IC	
Q6701	2SC3936/BC/-X	TRANSISTOR	
D6701	1SS133	DIODE	
	or 1N4148M	DIODE	
R6701	NRSA02J-392X	MG RESISTOR	3.9kΩ,1/10W
R6702	NRSA02J-682X	MG RESISTOR	6.8kΩ,1/10W
R6703	NRSA02J-0R0X	MG RESISTOR	0Ω,1/10W
R6704	NRSA02J-102X	MG RESISTOR	1kΩ,1/10W
R6705	NRSA02J-271X	MG RESISTOR	270Ω,1/10W
R6707	NQR0200-003X	FERRITE BEAD	
R6708	NQR0200-003X	FERRITE BEAD	
R6709	NQR0200-003X	FERRITE BEAD	
R6710	NQR0200-003X	FERRITE BEAD	
R6711	NRSA02J-684X	MG RESISTOR	680kΩ,1/10W
R6712	NRSA02J-102X	MG RESISTOR	1kΩ,1/10W
R6714	NRSA02J-102X	MG RESISTOR	1kΩ,1/10W
R6716	NQR0200-003X	FERRITE BEAD	
R6719	QRE141J-103Y	RESISTOR	10kΩ,1/4W
R6720	NRSA02J-562X	MG RESISTOR	5.6kΩ,1/10W
R6721	NRSA02J-562X	MG RESISTOR	5.6kΩ,1/10W
C6701	NCB21HK-103X	CAPACITOR	0.01μF,50V
C6704	NCB21HK-103X	CAPACITOR	0.01μF,50V
C6707	NDC21HJ-470X	CAPACITOR	47pF,50V
C6708	NDC21HJ-7R0X	CAPACITOR	7pF,50V
C6709	NDC21HJ-3R0X	CAPACITOR	3pF,50V
C6713	NCF21CZ-224X	CAPACITOR	0.22μF,16V
C6714	NCB21HK-682X	CAPACITOR	0.0068μF,50V
C6715	QEKJ1HM-225	E CAPACITOR	2.2μF,50V

#	△ REF No.	PART No.	PART NAME, DESCRIPTION
C6716	NCB21HK-682X	CAPACITOR	0.0068μF,50V
C6717	QEKJ1HM-225	E CAPACITOR	2.2μF,50V
C6719	QEKJ1EM-106	E CAPACITOR	10μF,25V
C6720	QEKJ1EM-106	E CAPACITOR	10μF,25V
C6721	NCB21HK-103X	CAPACITOR	0.01μF,50V
C6723	NCB21HK-103X	CAPACITOR	0.01μF,50V
C6724	QEKJ1HM-225	E CAPACITOR	2.2μF,50V
L6701	QUY153-050Y	IM BUS WIRE	
X6701	QAX0443-001	CRYSTAL RESONATOR	
K6701	NRSA02J-330X	MG RESISTOR	33Ω,1/10W
K6702	NQR0200-003X	FERRITE BEAD	
K6703	NRSA02J-102X	MG RESISTOR	1kΩ,1/10W
K6704	NRSA02J-102X	MG RESISTOR	1kΩ,1/10W
K6705	NRSA02J-100X	MG RESISTOR	10Ω,1/10W
K6706	NRSA02J-470X	MG RESISTOR	47Ω,1/10W
K6707	NQR0200-003X	FERRITE BEAD	
BK1	LP40425-001A	BRACKET(BOARD)	
CN6701	QGG2502K1-10	HEADER PIN	

MINI FRONT BOARD ASSEMBLY(MODEL:B,C,D)<28>

PW1	LPA20014-01A	MINI FRONT BOARD ASSY
S7028	QSW0456-002Z	TACT SWITCH,INSERT
S7029	QSW0456-002Z	TACT SWITCH,A.DUB
CN7002	QGF1208C1-09	FPC CONNECTOR,(1-9)MAIN
CN7005	QGF1208C1-09	FPC CONNECTOR,(1-9)ADV.JOG

S JACK BOARD ASSEMBLY <36>

PW1	LPA20009-01B	S JACK BOARD ASSY,D
	LPA20009-02B	S JACK BOARD ASSY,A,B,C
J7102	QND0084-001	S JACK,A,B,C
	QND0085-001	S JACK,D
CN7108	QGF1209F1-04	FPC CONNECTOR,(1-4)TERMINAL

ADV.JOG BOARD ASSEMBLY <38>

PW1	LPA20013-03B	ADV.JOG BOARD ASSY
UN7001	QSW0905-001	ROTARY ENCODER
CN7003	QGF1209F1-09	FPC CONNECTOR,(1-9)

LOADING MOTOR BOARD ASSEMBLY <55>

PW2	LP10122-01A2	LOADING MOTOR BOARD ASSY
CN1	QGB2533K1-02	CONNECTOR

#	△ REF No.	PART No.	PART NAME, DESCRIPTION

S/P CONVERTER BOARD ASSEMBLY <87>

PW1	LPA10144-01B	S/P CONVERTER BOARD ASSY	
IC1601	BA7046F-XE	IC	
IC1602	74HC132D	IC(DIGITAL)	
IC1603	74HC4538D	IC	
IC1604	74HC74D	IC	
IC1605	TDA8395	IC	
IC1606	TDA4665T	IC	
IC1607	TDA8501T/N1-X	IC	
Q1601	2SB1218A/QR/-X	TRANSISTOR	
	or 2PA1576/R/-X	TRANSISTOR	
	or 2SA1576A/QR/-X	TRANSISTOR	
Q1604	2SD1819A/QRS/-X	TRANSISTOR	
	or 2SC4081/QRS/-X	TRANSISTOR	
	or 2PC4081/R/-X	TRANSISTOR	
Q1605	2SB1218A/QR/-X	TRANSISTOR	
	or 2PA1576/R/-X	TRANSISTOR	
	or 2SA1576A/QR/-X	TRANSISTOR	
Q1606	2SC1740S/QRS/-T	TRANSISTOR	
Q1607	2SD1819A/QRS/-X	TRANSISTOR	
	or 2PC4081/R/-X	TRANSISTOR	
	or 2SC4081/QRS/-X	TRANSISTOR	
Q1608	2SB1218A/QR/-X	TRANSISTOR	
	or 2SA1576A/QR/-X	TRANSISTOR	
	or 2PA1576/R/-X	TRANSISTOR	
Q1609	2SD1819A/QRS/-X	TRANSISTOR	
	or 2PC4081/R/-X	TRANSISTOR	
	or 2SC4081/QRS/-X	TRANSISTOR	
Q1610	2SD1819A/QRS/-X	TRANSISTOR	
	or 2SC4081/QRS/-X	TRANSISTOR	
	or 2PC4081/R/-X	TRANSISTOR	
Q1611	2SB1218A/QR/-X	TRANSISTOR	
	or 2PA1576/R/-X	TRANSISTOR	
	or 2SA1576A/QR/-X	TRANSISTOR	
Q1612	2SD1819A/QRS/-X	TRANSISTOR	
	or 2SC4081/QRS/-X	TRANSISTOR	
	or 2PC4081/R/-X	TRANSISTOR	
Q1613	2SC4083/NP/-X	TRANSISTOR	
Q1614	2SB1218A/QR/-X	TRANSISTOR	
	or 2SA1576A/QR/-X	TRANSISTOR	
	or 2PA1576/R/-X	TRANSISTOR	
Q1615	2SD1819A/QRS/-X	TRANSISTOR	
	or 2PC4081/R/-X	TRANSISTOR	
	or 2SC4081/QRS/-X	TRANSISTOR	
Q1616	2SD1819A/QRS/-X	TRANSISTOR	
	or 2SC4081/QRS/-X	TRANSISTOR	
	or 2PC4081/R/-X	TRANSISTOR	
Q1617	2SB1218A/QR/-X	TRANSISTOR	
	or 2PA1576/R/-X	TRANSISTOR	
	or 2SA1576A/QR/-X	TRANSISTOR	
D1601	1SS133	DIODE	
R1601	NRSA02J-332X	MG RESISTOR	3.3kΩ,1/10W
R1608	NRSA02J-222X	MG RESISTOR	2.2kΩ,1/10W
R1609	NRSA02J-102X	MG RESISTOR	1kΩ,1/10W
R1610	NRSA02J-102X	MG RESISTOR	1kΩ,1/10W
R1611	NRSA02J-272X	MG RESISTOR	2.7kΩ,1/10W
R1612	NRSA02J-103X	MG RESISTOR	10kΩ,1/10W
R1615	NRSA02J-331X	MG RESISTOR	330Ω,1/10W

#	△ REF No.	PART No.	PART NAME, DESCRIPTION	#	△ REF No.	PART No.	PART NAME, DESCRIPTION
R1616		NRSA02J-474X	MG RESISTOR 470kΩ,1/10W	C1635		NCB21EK-104X	CAPACITOR 0.1μF,25V
R1617		NRSA02J-474X	MG RESISTOR 470kΩ,1/10W	C1636		NCB21CK-224X	CAPACITOR 0.22μF,16V
R1618		NRSA02J-103X	MG RESISTOR 10kΩ,1/10W	C1637		NCB21HK-103X	CAPACITOR 0.01μF,50V
R1619		NRSA02J-134X	MG RESISTOR 130kΩ,1/10W	C1638		QEKJ0JM-476	E CAPACITOR 47μF,6.3V
R1620		NRSA02J-332X	MG RESISTOR 3.3kΩ,1/10W	C1639		NCB21HK-103X	CAPACITOR 0.01μF,50V
R1621		QRE141J-103Y	RESISTOR 10kΩ,1/4W	C1640		QEKJ0JM-476	E CAPACITOR 47μF,6.3V
R1622		QRE141J-103Y	RESISTOR 10kΩ,1/4W	C1641		NCB21HK-103X	CAPACITOR 0.01μF,50V
R1623		NRSA02J-123X	MG RESISTOR 12kΩ,1/10W	C1642		NCB21HK-103X	CAPACITOR 0.01μF,50V
R1624		NRSA02J-124X	MG RESISTOR 120kΩ,1/10W	C1643		NCB21HK-103X	CAPACITOR 0.01μF,50V
R1631		NRSA02J-561X	MG RESISTOR 560Ω,1/10W	C1644		NCB21HK-103X	CAPACITOR 0.01μF,50V
R1632		NRSA02J-332X	MG RESISTOR 3.3kΩ,1/10W	C1645		QEKJ1HM-105	E CAPACITOR 1μF,50V
R1633		NRSA02J-223X	MG RESISTOR 22kΩ,1/10W	C1646		QEKJ1HM-105	E CAPACITOR 1μF,50V
R1635		NRSA02J-122X	MG RESISTOR 1.2kΩ,1/10W	C1647		NCB21CK-224X	CAPACITOR 0.22μF,16V
R1636		NRSA02J-102X	MG RESISTOR 1kΩ,1/10W	C1648		QEKJ0JM-476	E CAPACITOR 47μF,6.3V
R1637		NRSA02J-681X	MG RESISTOR 680Ω,1/10W	C1649		NCB21HK-103X	CAPACITOR 0.01μF,50V
R1638		NRSA02J-101X	MG RESISTOR 100Ω,1/10W	C1650		NCB21CK-224X	CAPACITOR 0.22μF,16V
R1639		NRSA02J-331X	MG RESISTOR 330Ω,1/10W	C1651		NCB21EK-223X	CAPACITOR 0.022μF,25V
R1640		NRSA02J-122X	MG RESISTOR 1.2kΩ,1/10W	C1652		NDC21HJ-120X	CAPACITOR 12pF,50V
R1641		NRSA02J-102X	MG RESISTOR 1kΩ,1/10W	C1653		NCB21CK-224X	CAPACITOR 0.22μF,16V
R1642		NRSA02J-681X	MG RESISTOR 680Ω,1/10W	C1654		NCB21HK-103X	CAPACITOR 0.01μF,50V
R1643		NRSA02J-101X	MG RESISTOR 100Ω,1/10W	C1655		QEKJ0JM-476	E CAPACITOR 47μF,6.3V
R1644		NRSA02J-331X	MG RESISTOR 330Ω,1/10W	C1656		NCB21HK-103X	CAPACITOR 0.01μF,50V
R1645		NRSA02J-152X	MG RESISTOR 1.5kΩ,1/10W	L1601		QQL29BJ-100Z	COIL 10μH
R1646		NRSA02J-104X	MG RESISTOR 100kΩ,1/10W	L1602		QQL29BJ-100Z	COIL 10μH
R1647		NRSA02J-152X	MG RESISTOR 1.5kΩ,1/10W	L1603		QQL29BJ-100Z	COIL 10μH
R1648		NRSA02J-102X	MG RESISTOR 1kΩ,1/10W	L1604		QQL29BJ-100Z	COIL 10μH
R1651		NRSA02J-123X	MG RESISTOR 12kΩ,1/10W	X1601		QAX0613-001Z	CRYSTAL RESONATOR
R1652		NRSA02J-102X	MG RESISTOR 1kΩ,1/10W	FL1601		QQR1187-001	EQUALIZER
R1653		NRSA02J-184X	MG RESISTOR 180kΩ,1/10W	FL1602		QQR1187-001	EQUALIZER
R1654		NRSA02J-561X	MG RESISTOR 560Ω,1/10W	BK1		LP30950-001A	BRACKET(1)
R1655		NRSA02J-122X	MG RESISTOR 1.2kΩ,1/10W	BK2		LP30951-001A	BRACKET(2)
R1656		NRSA02J-222X	MG RESISTOR 2.2kΩ,1/10W	OT1		PU59915-105	#500SPACER0.01
R1657		NRSA02J-561X	MG RESISTOR 560Ω,1/10W	CN1601		QGF1208F1-11	FPC CONNECTOR,(1-11)TERMINAL
R1658		NRSA02J-102X	MG RESISTOR 1kΩ,1/10W				
R1659		NRSA02J-681X	MG RESISTOR 680Ω,1/10W				
R1660		NRSA02J-273X	MG RESISTOR 27kΩ,1/10W				
R1661		NRSA02J-333X	MG RESISTOR 33kΩ,1/10W				
VR1601		QVP0039-471Z	TRIM RESISTOR				
VR1602		QVP0039-471Z	TRIM RESISTOR				
VR1603		QVP0039-104Z	TRIM RESISTOR				
B1601		NRSA02J-0R0X	MG RESISTOR 0Ω,1/10W				
B1602		NRSA02J-0R0X	MG RESISTOR 0Ω,1/10W				
B1603		NRSA02J-0R0X	MG RESISTOR 0Ω,1/10W				
C1601		QEKJ1CM-476	E CAPACITOR 47μF,16V				
C1602		NCB21HK-103X	CAPACITOR 0.01μF,50V				
C1605		QEKJ1HM-105	E CAPACITOR 1μF,50V				
C1606		NCB21HK-102X	CAPACITOR 0.001μF,50V				
C1607		NCB21HK-103X	CAPACITOR 0.01μF,50V				
C1608		QEKJ0JM-476	E CAPACITOR 47μF,6.3V				
C1609		NCB21HK-222X	CAPACITOR 0.0022μF,50V				
C1610		QEKJ1HM-105	E CAPACITOR 1μF,50V				
C1611		NDC21HJ-101X	CAPACITOR 100pF,50V				
C1612		NCB21EK-104X	CAPACITOR 0.1μF,25V				
C1613		NCB21EK-104X	CAPACITOR 0.1μF,25V				
C1614		NDC21HJ-471X	CAPACITOR 470pF,50V				
C1615		NDC21HJ-471X	CAPACITOR 470pF,50V				
C1616		NCB21EK-104X	CAPACITOR 0.1μF,25V				
C1631		QEKJ1CM-476	E CAPACITOR 47μF,16V				
C1632		QEKJ1CM-476	E CAPACITOR 47μF,16V				
C1633		NCB21HK-103X	CAPACITOR 0.01μF,50V				
C1634		NDC21HJ-101X	CAPACITOR 100pF,50V				